

QMP INC.

QUALITY METAL PRODUCTS

*Engineering the Ideas of Tomorrow
While Supplying Your Needs of Today*



2925 Stephen Place
Elkhart, IN 46514
(574) 262-1575
FAX: (574) 262-8765



TABLE OF CONTENTS

	PAGE #
OPENING LETTER.....	1
COATINGS.....	2
GAS PROP BRACKETS.....	3-8
BALL STUDS.....	9
THREADED BALL STUDS.....	10
CAMS/CAM GUIDES.....	11-13
LOCKING BARS/ROD PIVOT BRACKETS.....	14
SLAM LOCKS.....	15
CHAIN BOLTS.....	16
WIRE CATCH BRACKETS.....	17-18
CAM LOCKS/INSIDE HANDLES.....	19
L BRACKETS.....	20
DOOR PROPS.....	21-27
J BOLTS/J HOOKS.....	28
J BOLT PLATE.....	29
BOWCLIPS/CORNER KEYS/NAIL HEADED BOLTS.....	30
LADDER MOUNTING PADS/J HOOKS.....	31
TABLE LEGS.....	32-33
LOCK STRIKE BRACKET/PLATES.....	34
HINGES.....	35
RELEASE LATCH HANDLES.....	36
LAMINATION AND BACKER PLATES/NUT TRACKS.....	37
ARM REST BRACKETS.....	38
ALUMINUM EXTRUSIONS.....	39
FENDER STRUTS/GRAB HANDLES.....	40
PICKUP CAP/RV/TRAILER PRODUCTS.....	41-42
CUSTOM TUBING.....	43
CUSTOM SCREW MACHINE.....	44-45
CUSTOM STAMPING	46-47
CUSTOM WIRE/ ROD PIVOT BRACKETS.....	48

2925 Stephen Place Elkhart, IN 46514
Phone: 574-262-1575
Fax: 574-262-8765



*ENGINEERING THE IDEAS OF TOMORROW
WHILE SUPPLYING YOUR NEEDS OF TODAY*

QMP has been in business for over 35 years. We have a complete screw machine and stamping department along with many other services, all located in a 55,000 square foot facility on the north side of Elkhart.

We offer 2 ton to 200 ton presses with computerized feeding and electronic monitoring equipment. We also offer drilling, bending, unipunching, riveting, threading, and mig and spot welding of products.

QMP will also perform assembly of your components and products to a completed state to give you more of a fixed product cost. We can help with the designing of your product and the producing of in-house tooling dies, fixtures, and specialized equipment needed for the production of your part. Due to the time required, these services are only offered for parts produced by QMP.

QMP currently processes a vast array of materials. There are many types of plastics and nylons. We have processed many types of stainless steel and aluminum, along with standard brass and music-quality brass, high strength steels, leaded steels, and multiple other types of cold rolled, and hot rolled steels. QMP also has considerable experience with tubing and wire production that many companies will not get involved with.

We offer many types of finishes: powder paint and "E" coat paint, chrome, and all types of plating to give your part the exact appearance you desire.

At QMP, we take extra care to see that we package our products to withstand the abuses and mistreatment of freight transportation. QMP works with our customers and we would be glad to ship, at your convenience, any of our products. Our normal methods of shipment are UPS or common carrier, but we also provide delivery by QMP trucks for local deliveries. If there is another method which you prefer however, please let us know. If you have a preference in carriers, we would like to know that as well.

We strive to produce quality products at competitive prices with on time delivery. QMP is familiar with a large variety of materials used on screw machine and other production parts. Please challenge us by giving us a chance to quote parts that your current suppliers cannot produce to your expectations. We would also like the opportunity to create a part that does not currently exist that could improve your product.

2925 Stephen Place Elkhart, IN 46514
Phone: 574-262-1575
Fax: 574-262-8765



COATINGS

Protecting your product from the environment that it is designed to work in is very important in today's market. QMP will be happy to work with you to find a cost effective coating that will fit your application.

We can offer you electrodeposited coatings of zinc as designated by the ASTM B633-07 plating standards. All of the below corrosion ratings are in hours to white rust and red rust. These are rated using the ASTM B117-09 testing criteria

HEXAVALENT PLATINGS	HOURS TO WHITE RUST	HOURS TO RED RUST
Standard <u>barrel</u> hexavalent type two bright zinc	10-24	48-96
Standard <u>barrel</u> hexavalent type two black zinc	48-96	72-168
Standard <u>barrel</u> hexavalent type two yellow zinc	72-96	96-240
TRIVALENT PLATINGS (These are ROHS standards compliant)	HOURS TO WHITE RUST	HOURS TO RED RUST
ROHS high corrosion bright zinc	72-96	100-240
ROHS high corrosion yellow zinc	72-96	100-240

*There are also special sealers that can be applied in the plating process to significantly increase the corrosion resistance if desired.

Standard plating thickness as listed above is 0.00015" to 0.0003"

QMP also offers the following paint-style coatings to ensure we offer a wide variety of options for customers:

Black "E" Coat (electrostatically applied liquid paint) 1000 hours

Powder Paint* (electrostatically applied powder paint) 1000 hours

*The powder paint has a wide range of colors to suit your application

QMP also has certain platers that offer special types of trademarked corrosion platings if needed for your product. QMP can also have rubber/plastasol coatings performed on your product.

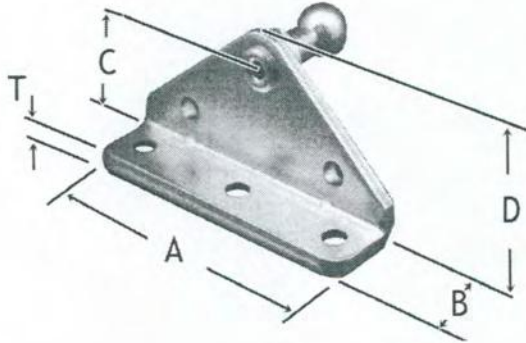
QMP will work with you on any type of coating needed to finish off and protect your product.

2925 Stephen Place Elkhart, IN 46514
 Phone: 574-262-1575
 Fax: 574-262-8765

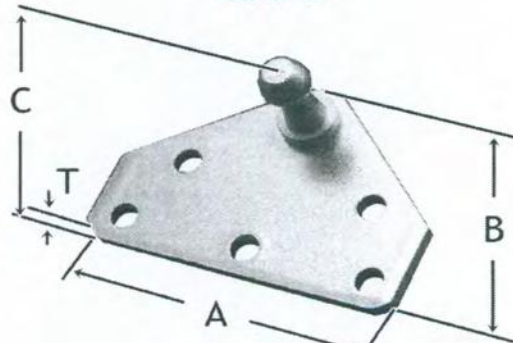
GAS PROP BRACKETS

BRACKETS WILL COME WITHOUT BALLS
OR STUDS UNLESS YOU CHOOSE ONE.

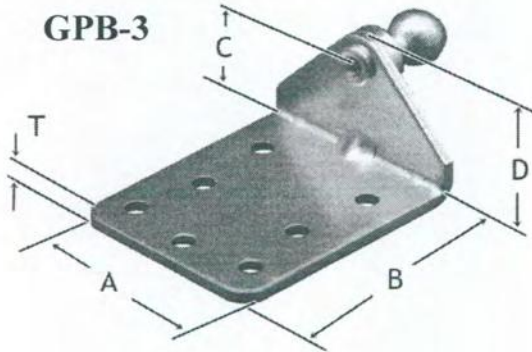
GPB-1



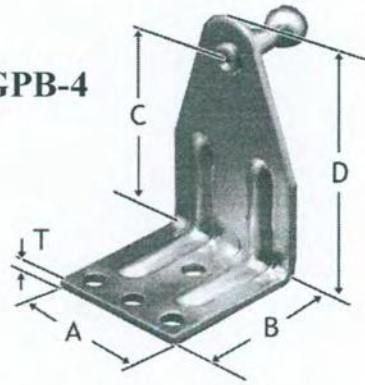
GPB-2



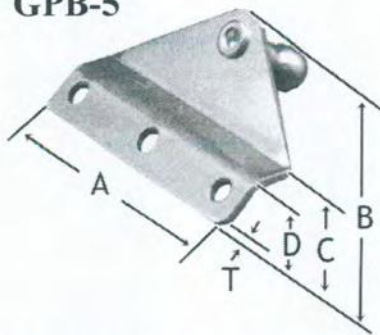
GPB-3



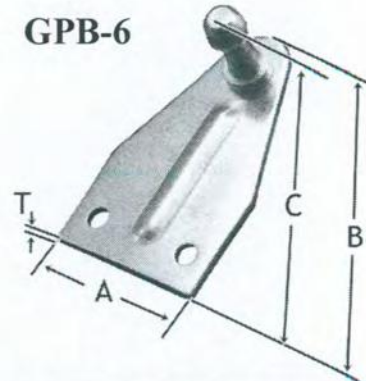
GPB-4



GPB-5



GPB-6



PART #	A	B	C	D	T	MTG HOLE DIA
GPB-1	2.500	0.695	0.900	1.190	0.095	0.200
GPB-2	2.500	1.715	1.425	N/A	0.090	0.200
GPB-3	2.000	2.430	0.965	1.250	0.095	0.200
GPB-4	1.500	1.545	2.100	2.430	0.095	0.206
GPB-5	2.500	1.650	0.770	0.500	0.090	0.200
GPB-6	1.500	2.422	2.050	N/A	0.090	0.206

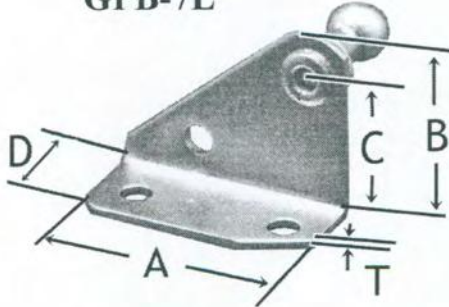
2925 Stephen Place Elkhart, IN 46514
Phone: 574-262-1575
Fax: 574-262-8765

THE BALLS ARE AFFIXED USING COLD RIVET DESIGN.
THEY CAN ALSO BE WELDED IF DESIRED.

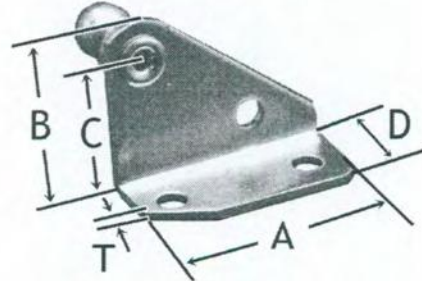
GAS PROP BRACKETS

BRACKETS WILL COME WITHOUT BALLS OR STUDS UNLESS YOU CHOOSE ONE.

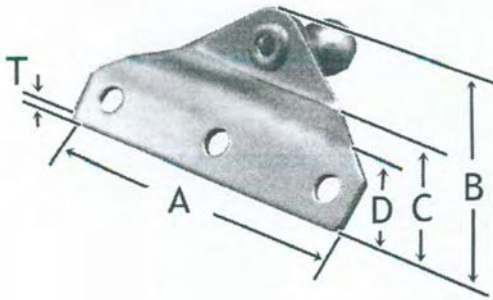
GPB-7L



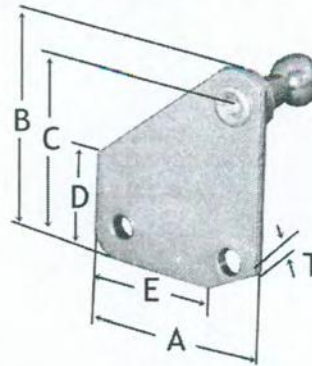
GPB-7R



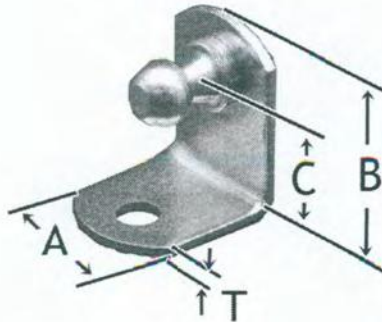
GPB-8



GPB-10 (left or right)



GPB-16



PART #	A	B	C	D	T	MTG HOLE DIA
GPB-7L	1.500	1.200	0.925	0.670	0.075	0.197
GPB-7R	1.500	1.200	0.925	0.670	0.075	0.197
GPB-8	2.500	1.290	0.800	0.500	0.075	0.200
GPB-10	1.500	1.700	1.422	0.700	0.095	0.203
GPB-16	0.875	0.800	1.165	N/A	0.075	0.265

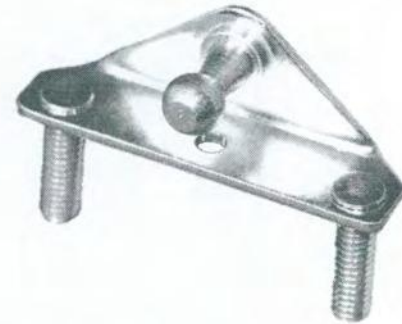
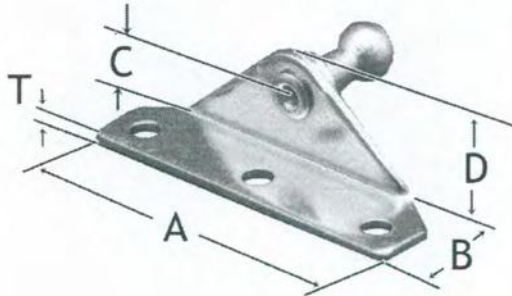
2925 Stephen Place Elkhart, IN 46514
 Phone: 574-262-1575
 Fax: 574-262-8765

THE BALLS ARE AFFIXED USING COLD RIVET DESIGN.
 THEY CAN ALSO BE WELDED IF DESIRED.

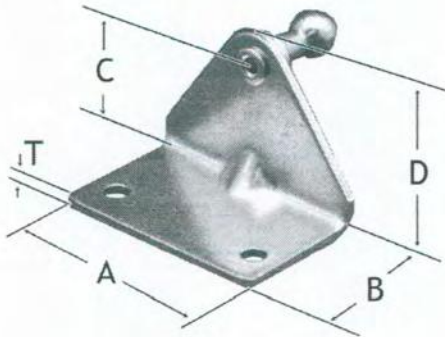
GAS PROP BRACKETS

BRACKETS WILL COME WITHOUT BALLS
OR STUDS UNLESS YOU CHOOSE ONE.

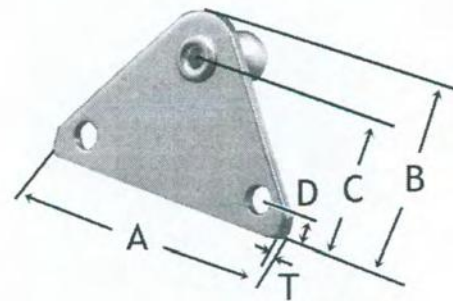
GPB-17



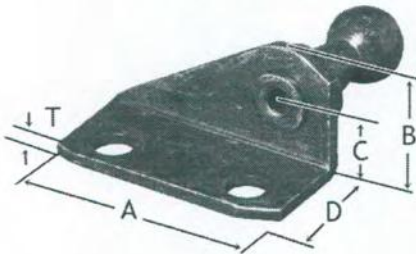
GPB-18



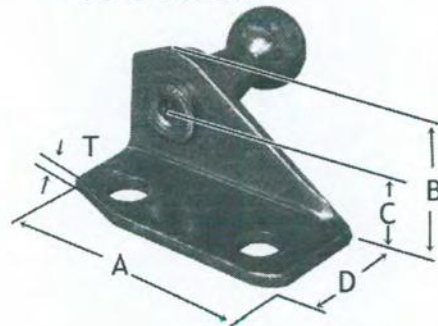
GPB-19



GPB-29-DS



GPB-29-PS



PART #	A	B	C	D	T	MTG HOLE DIA
GPB-17	2.500	0.670	0.530	0.810	0.075	0.200
GPB-18	2.000	1.265	1.075	1.363	0.090	0.200
GPB-19	2.000	1.315	1.000	0.230	0.090	0.200
GPB-29-DS	1.305	0.690	N/A	0.580	0.075	0.231
GPB-29-PS	1.305	0.690	N/A	0.580	0.075	0.231

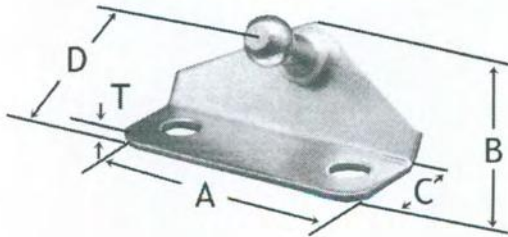
2925 Stephen Place Elkhart, IN 46514
 Phone: 574-262-1575
 Fax: 574-262-8765

THE BALLS ARE AFFIXED USING COLD RIVET DESIGN.
 THEY CAN ALSO BE WELDED IF DESIRED.

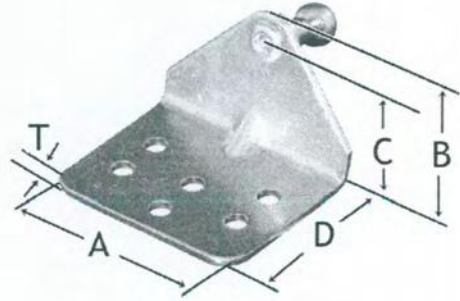
GAS PROP BRACKETS

BRACKETS WILL COME WITHOUT BALLS
OR STUDS UNLESS YOU CHOOSE ONE.

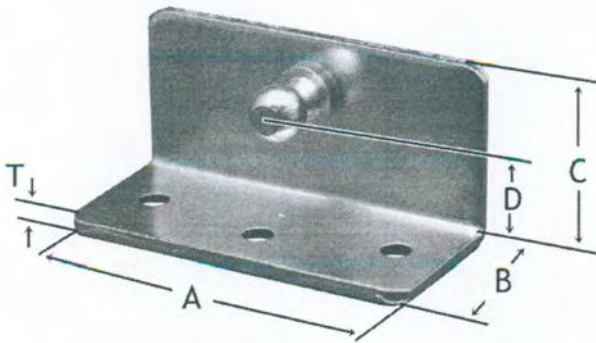
GPB-30



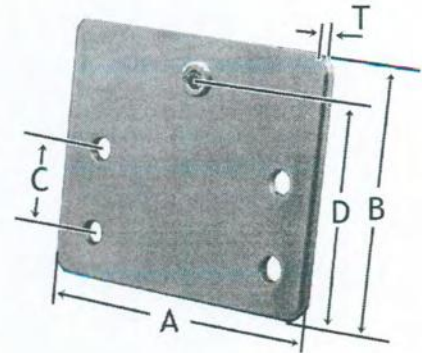
GPB-31



GPB-37



GPB-38



PART #	A	B	C	D	T	MTG HOLE DIA
GPB-30	2.250	0.810	1.150	1.550	0.075	0.310
GPB-31	2.000	1.190	N/A	1.500	0.075	0.200
GPB-37	3.500	1.605	1.640	1.150	0.120	0.281
GPB-38	3.500	3.000	1.000	2.500	0.120	0.281

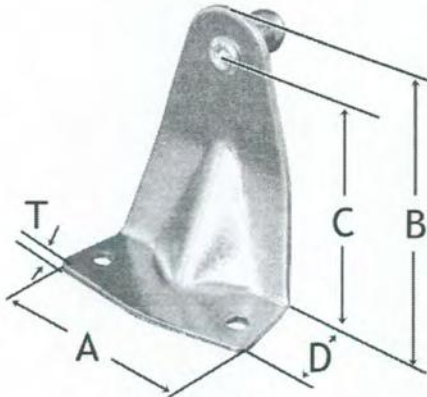
2925 Stephen Place Elkhart, IN 46514
Phone: 574-262-1575
Fax: 574-262-8765

THE BALLS ARE AFFIXED USING COLD RIVET DESIGN.
THEY CAN ALSO BE WELDED IF DESIRED.

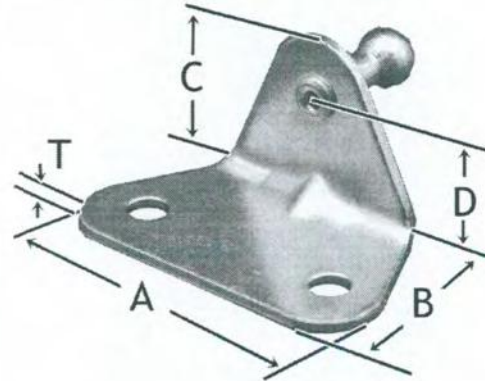
GAS PROP BRACKETS

BRACKETS WILL COME WITHOUT BALLS
OR STUDS UNLESS YOU CHOOSE ONE.

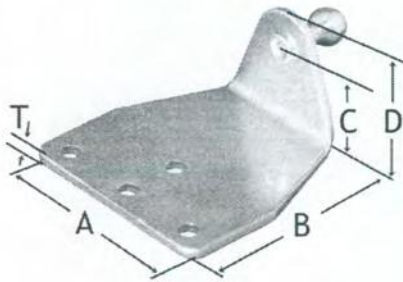
GPB-43



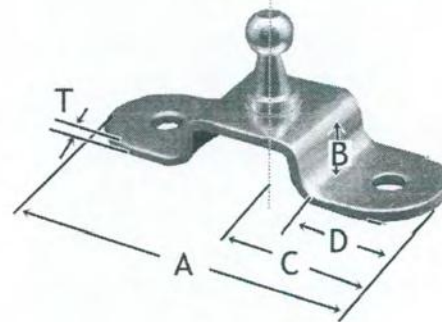
GPB-44



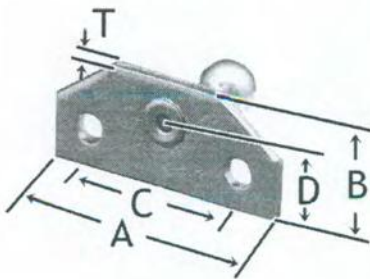
GPB-45



GPB-46



GPB-47



GPB-50



PART #	A	B	C	D	T	MTG HOLE DIA
GPB-43	2.056	2.590	2.155	N/A	0.075	0.200
GPB-44	2.360	1.340	1.250	0.860	0.090	0.275
GPB-45	2.250	2.278	0.870	1.265	0.120	0.200
GPB-46	3.100	0.535	1.550	1.000	0.100	0.270
GPB-47	1.750	0.720	0.974	0.460	0.105	0.210

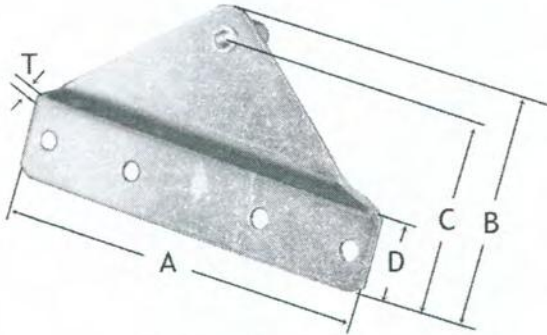
2925 Stephen Place Elkhart, IN 46514
Phone: 574-262-1575
Fax: 574-262-8765

THE BALLS ARE AFFIXED USING COLD RIVET DESIGN.
THEY CAN ALSO BE WELDED IF DESIRED.

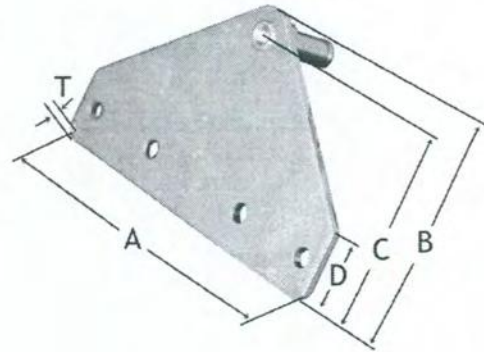
GAS PROP BRACKETS

BRACKETS WILL COME WITHOUT BALLS
OR STUDS UNLESS YOU CHOOSE ONE.

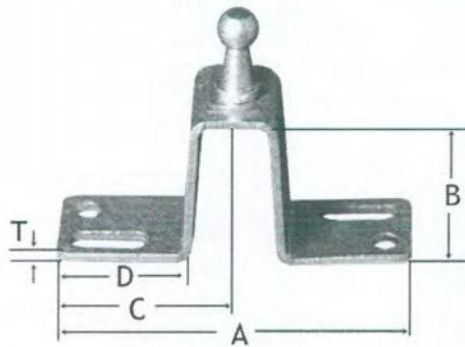
GPB-51



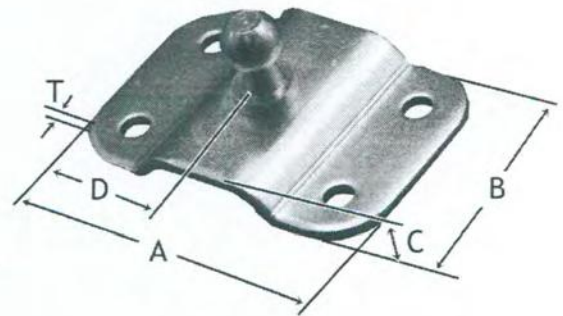
GPB-54



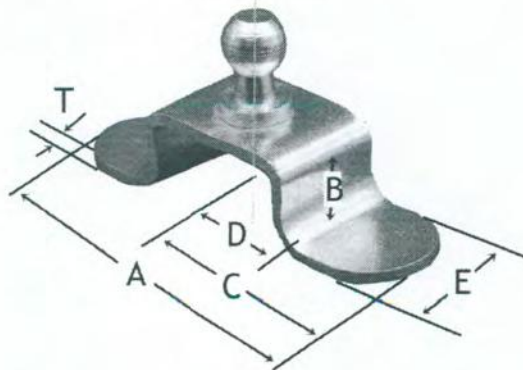
GPB-60



GPB-62



GPB-79



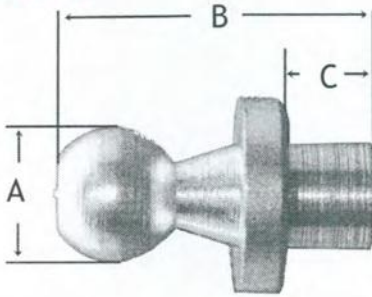
PART #	A	B	C	D	T	MTG HOLE DIA
GPB-51	4.000	2.312	2.000	0.8125	0.089	0.203
GPB-54	4.000	2.367	2.000	0.8125	0.089	0.203
GPB-60	3.410	1.600	1.705	1.200	0.095	0.250
GPB-62	3.040	2.000	0.365	1.520	0.120	0.265
GPB-79	3.400	0.800	1.700	0.765	0.105	N/A

2925 Stephen Place Elkhart, IN 46514
Phone: 574-262-1575
Fax: 574-262-8765

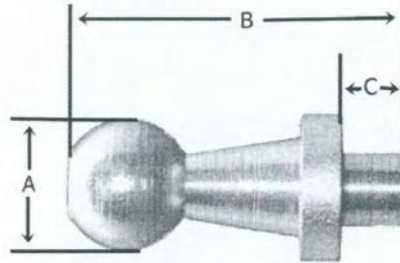
THE BALLS ARE AFFIXED USING COLD RIVET DESIGN.
THEY CAN ALSO BE WELDED IF DESIRED.

OPTIONAL BALL STUDS CAN BE USED ON YOUR BRACKETS OR OURS

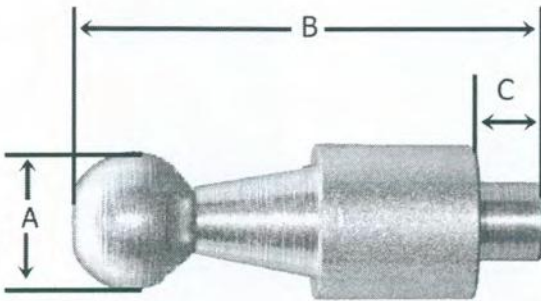
BS-1



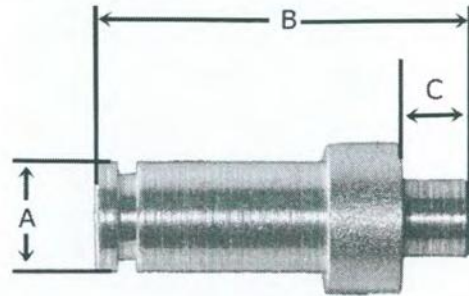
BS-2



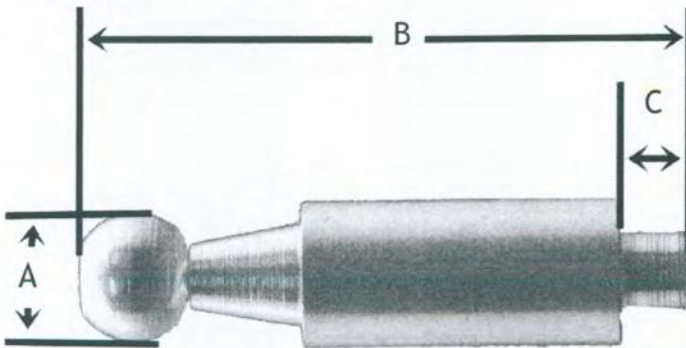
BS-3



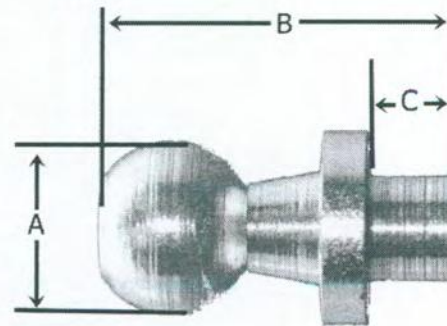
BS-4



BS-5



BS-6



PART #	A	B
BS-1	0.390	0.922
BS-2	0.390	1.016
BS-3	0.390	1.328
BS-4	0.310	1.031
BS-5	0.390	1.844
BS-6	0.510	1.047

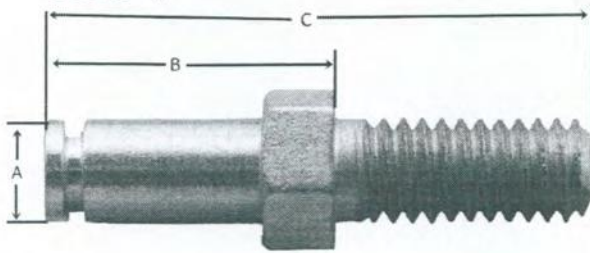
**DIMENSION "C" CAN
BE ANY DIMENSION
YOU DESIRE.
OUR STANDARDS ARE
.200 & .260**

2925 Stephen Place Elkhart, IN 46514
Phone: 574-262-1575
Fax: 574-262-8765

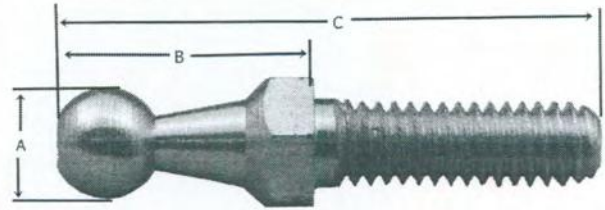
QMP USES A COLD RIVET DESIGN TO AFFIX
THESE BALLS TO OUR BRACKETS.
WE CAN ALSO WELD THEM IF NEEDED

OPTIONAL THREADED BALL STUDS

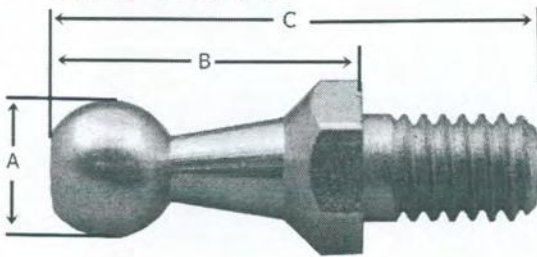
TBS-7



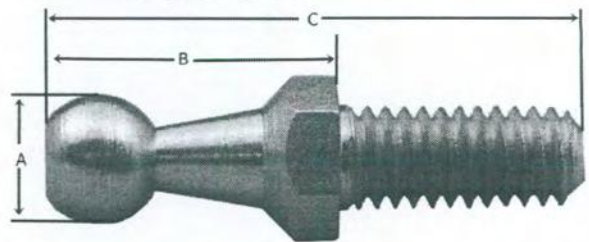
TBS-8-1



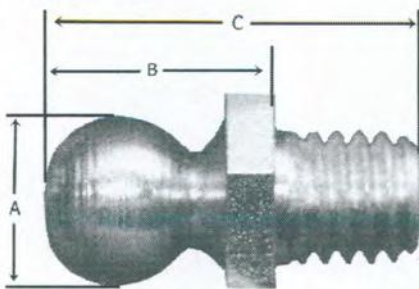
TBS-8-.500



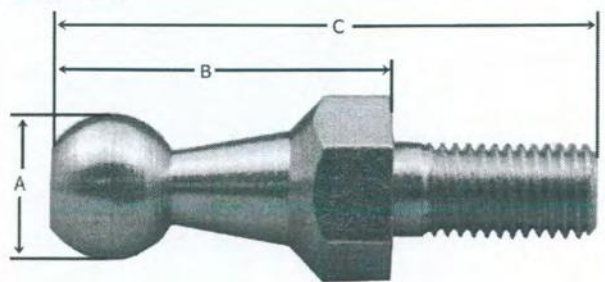
TBS-8-.750



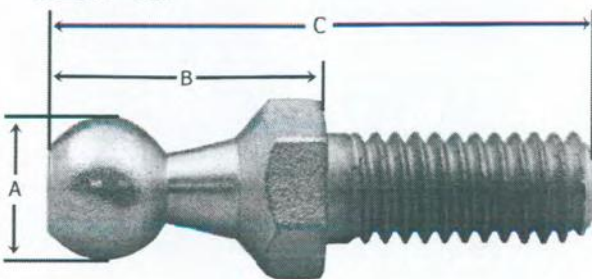
TBS-10



TBS-11



TBS-12



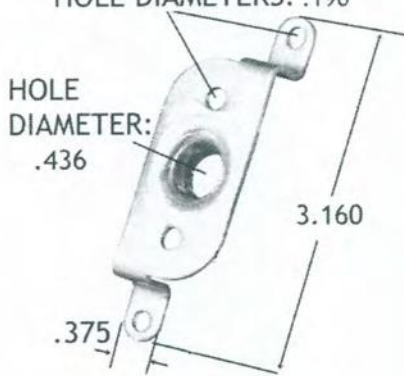
PART #	A	B	C
TBS-7	0.310	0.840	1.590
TBS-8-.375	0.390	0.875	1.250
TBS-8-.500	0.390	0.875	1.375
TBS-8-.750	0.390	0.875	1.625
TBS-8-1	0.390	0.875	1.875
TBS-10	0.390	0.540	0.890
TBS-11	0.390	0.940	1.500
TBS-12-.750	0.390	0.760	1.515
TBS-12-.500-SS	0.390	0.760	1.265

2925 Stephen Place Elkhart, IN 46514
Phone: 574-262-1575
Fax: 574-262-8765

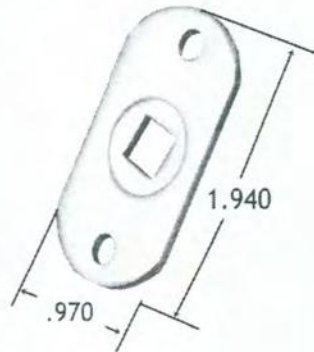
THE THREADS ALLOW TIGHTENING OF 1/8" THICK STEEL OR THICKER

**CENTER CAM COVER
PART# CCC-1**

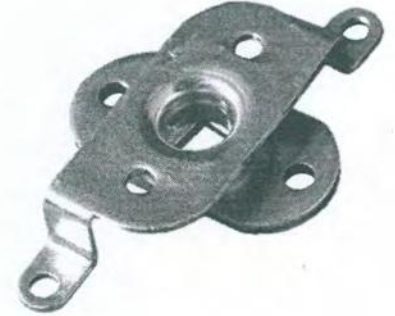
HOLE DIAMETERS: .190



**CENTER CAM
PART# CC-1**



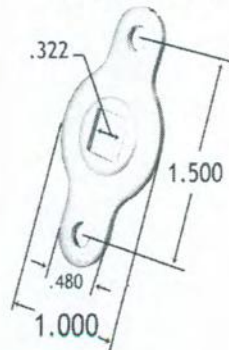
ASSEMBLED: A-1



**CENTER CAM COVER
PART# CCC-2**



**CENTER CAM
PART# CC-2**



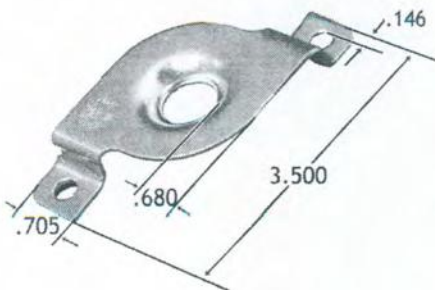
**E-Z MOUNT SPRING
PART# SRB-016**



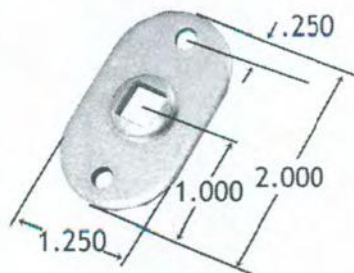
ASSEMBLED: A-2



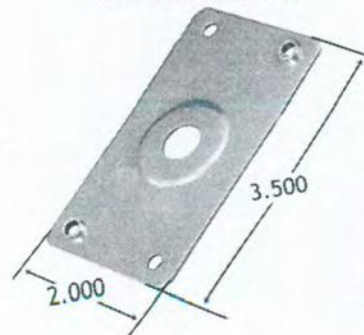
**CENTER CAM COVER
PART# CCC-3**



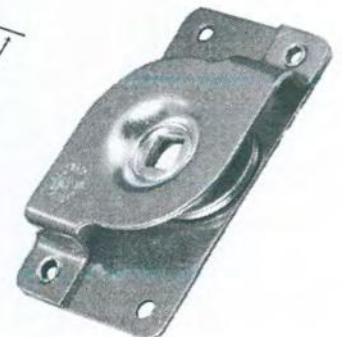
**CENTER CAM
PART# CC-3**



**CENTER CAM PLATE
PART# CCP-3**



ASSEMBLED: A-14

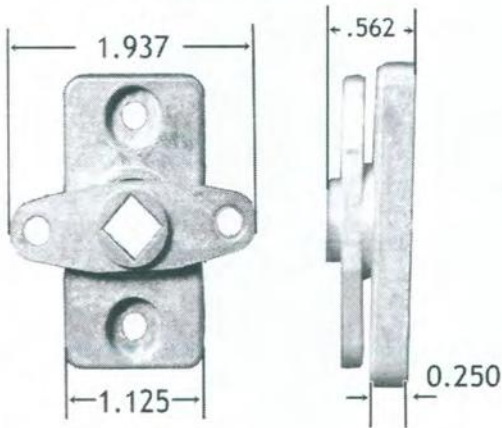


2925 Stephen Place Elkhart, IN 46514
Phone: 574-262-1575
Fax: 574-262-8765

CAMS

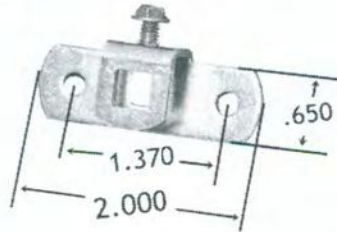
CENTER CAM

PART# CA5

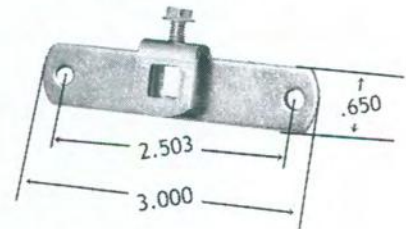


LOCKING CENTER CAMS WITH SET SCREWS

PART# CC-12



PART# CC-13

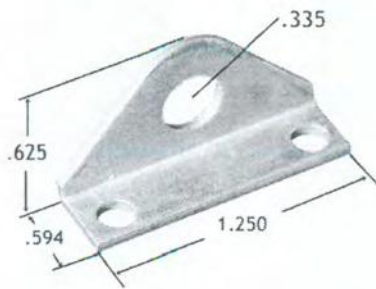


PART# CA8

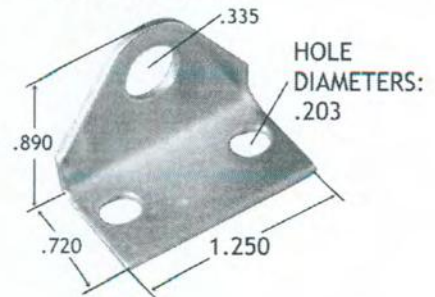


CAM GUIDES

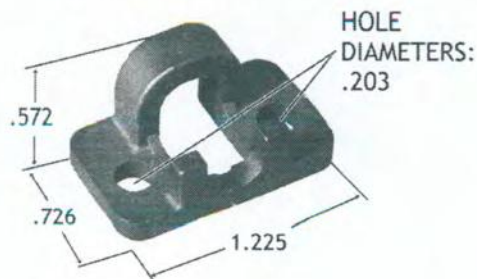
PART# LBB-1



PART# LBB-7

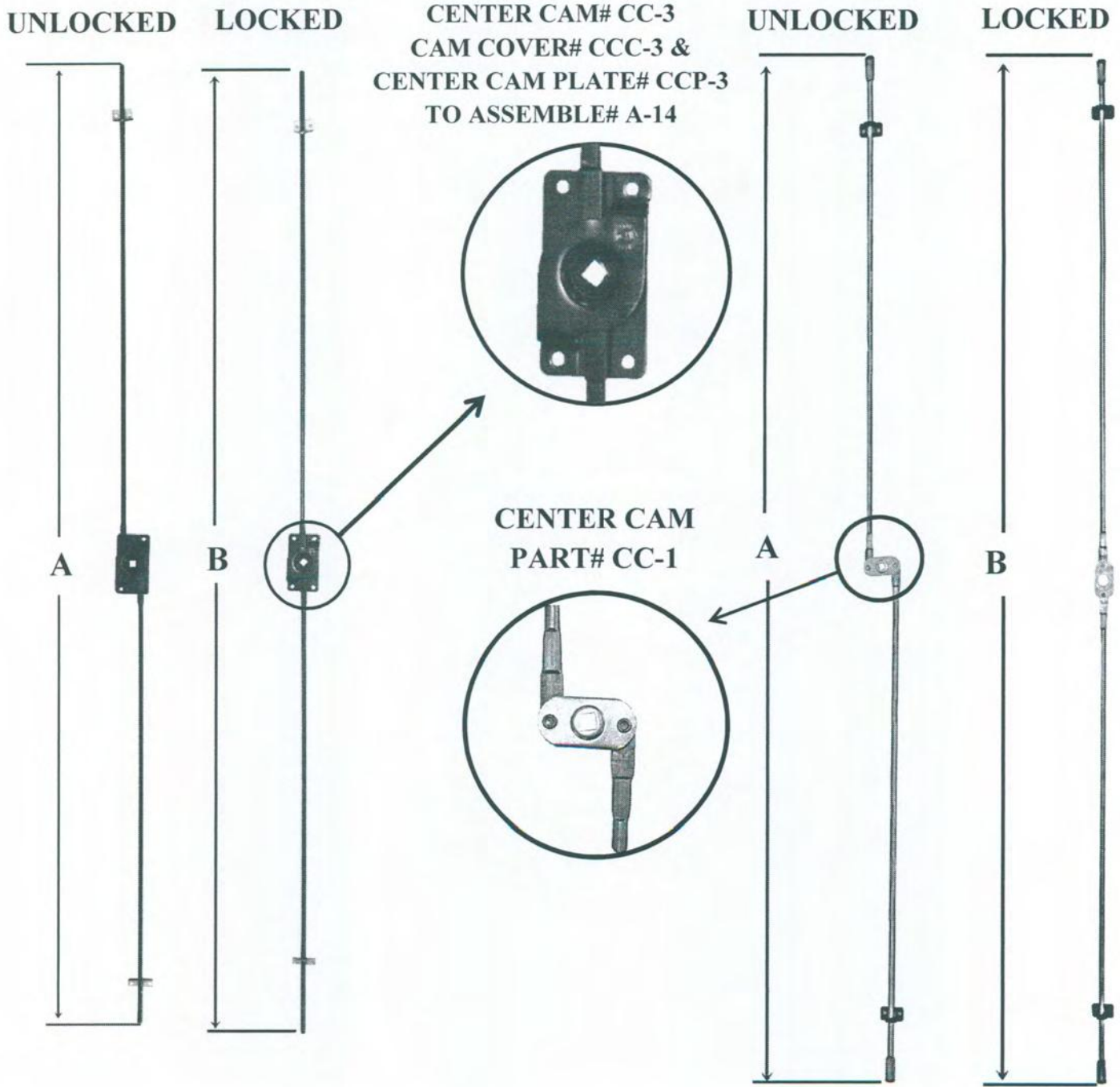


PART# PG-2



2925 Stephen Place Elkhart, IN 46514
Phone: 574-262-1575
Fax: 574-262-8765

LOCKING BAR AND CAM ASSEMBLIES

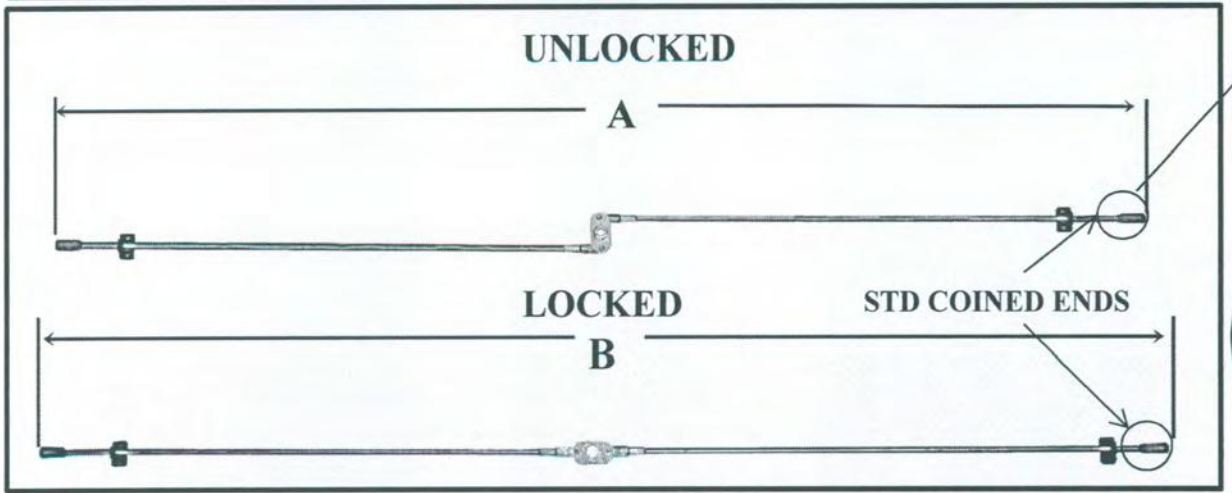
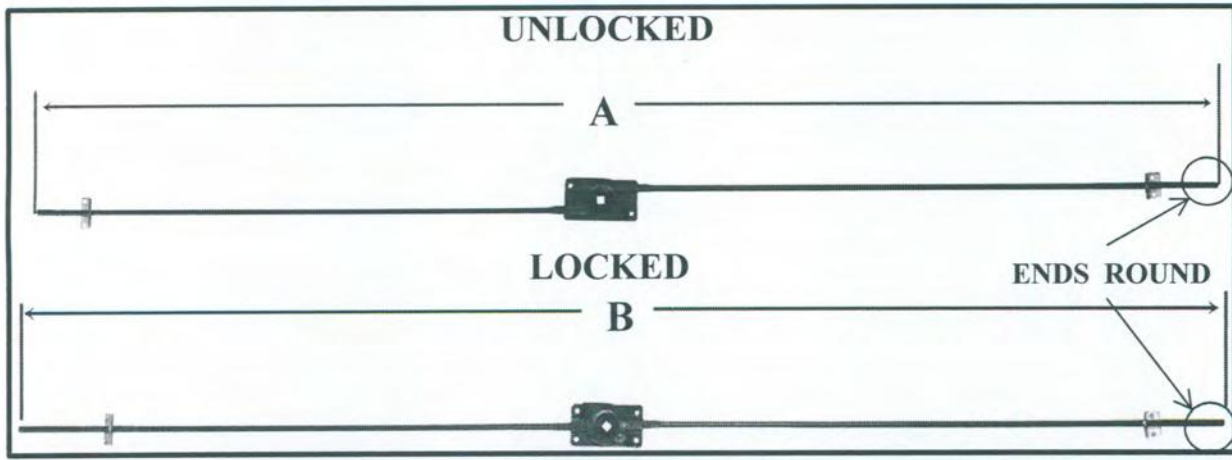


2925 Stephen Place Elkhart, IN 46514
Phone: 574-262-1575
Fax: 574-262-8765

**DIMENSIONS A AND B ARE
CUSTOMIZABLE TO YOUR NEEDS*

LOCKING BARS ROD PIVOT BRACKETS

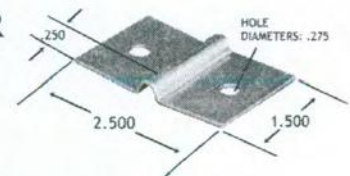
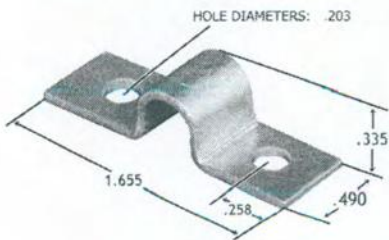
LOCKING BARS



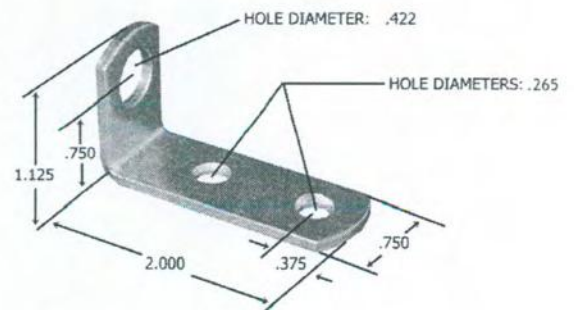
ROD PIVOT BRACKETS

I.V. BOTTLE HOLDER BRACKET

PART# ALB-2H-.235-EB

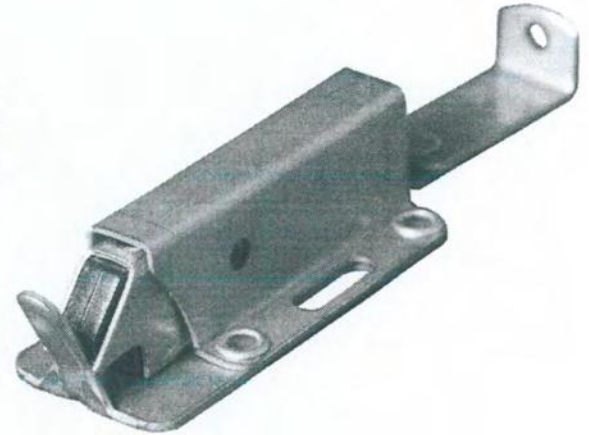
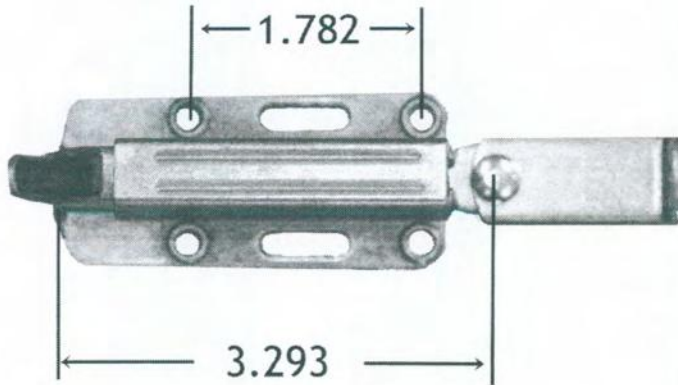


PART# LBGB-.539-Z

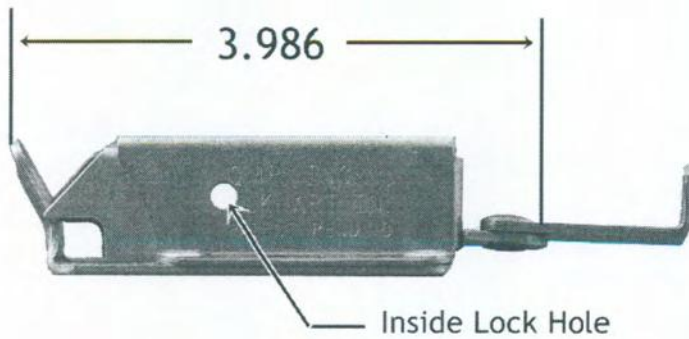


2925 Stephen Place Elkhart, Indiana 46514
Phone: 574-262-1575
Fax: 574-262-8765

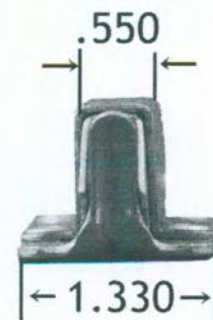
TOP VIEW



FRONT VIEW



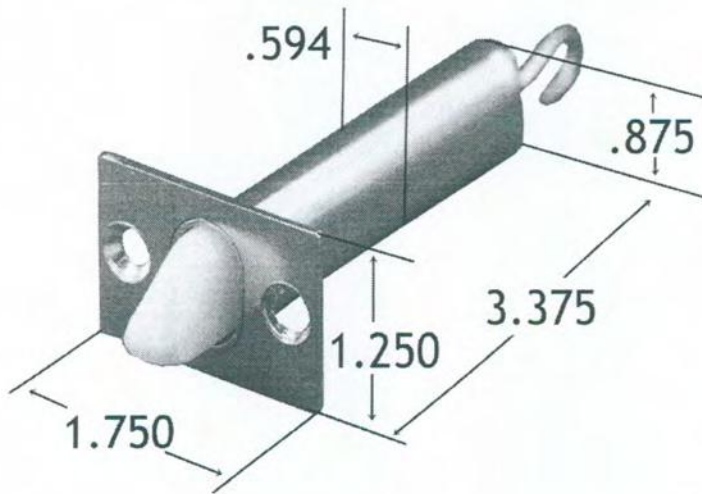
RIGHT VIEW



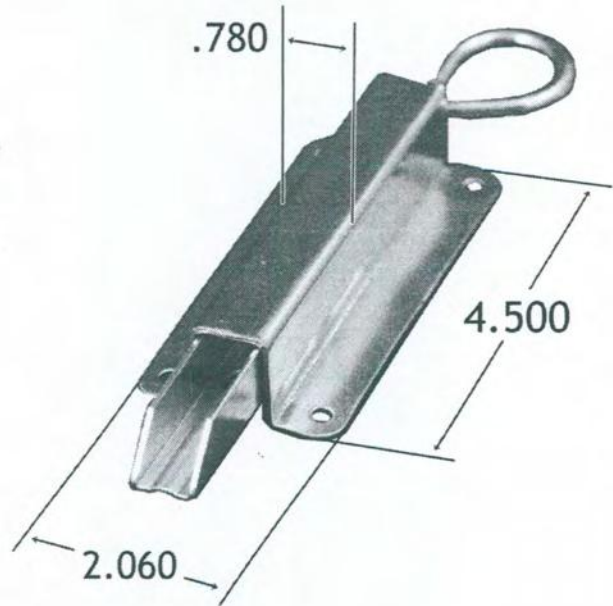
2925 Stephen Place Elkhart, IN 46514
Phone: 574-262-1575
Fax: 574-262-8765

CHAIN BOLTS/PLUNGER STYLE LOCKS

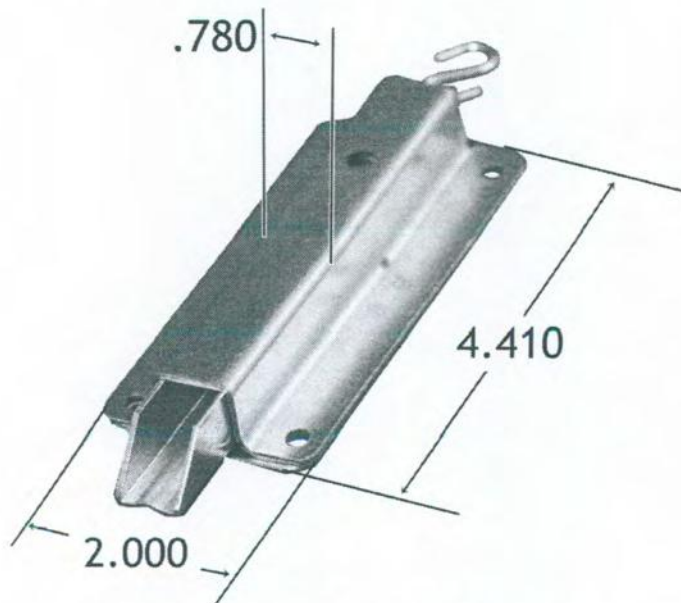
CB-N1



CB-2P

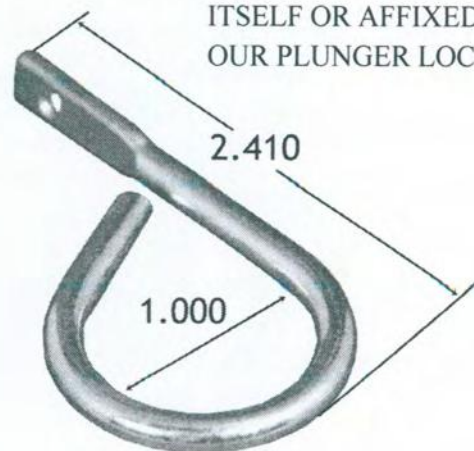


CB-3



**PULL HOOK
PART# PL-2.410-Z**

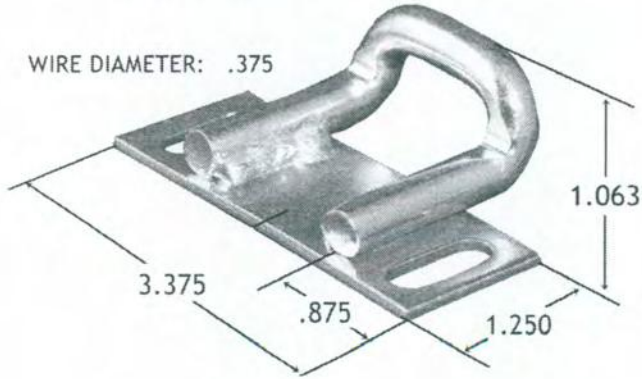
THIS COULD BE ORDERED BY
ITSELF OR AFFIXED TO ONE OF
OUR PLUNGER LOCKS



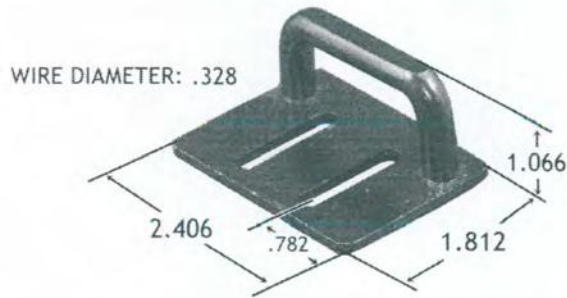
2925 Stephen Place Elkhart, IN 46514
Phone: 574-262-1575
Fax: 574-262-8765

WIRE CATCH BRACKETS
COMMONLY USED FOR ROTARY LOCKS, PLUNGER
LOCKS, AND SLAM LOCKS TO NAME A FEW

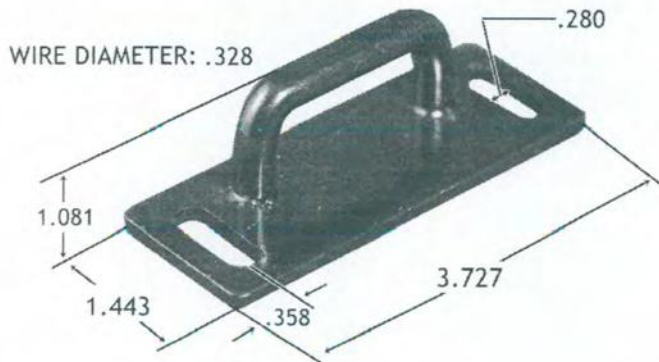
**WIRE CATCH
BRACKET**



PART# RLWCB-2.406-EB

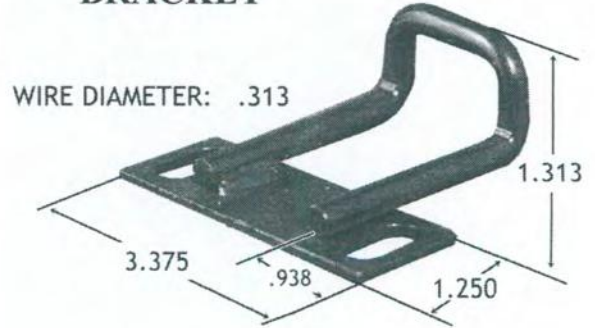


PART# RLWC-1.443-EB

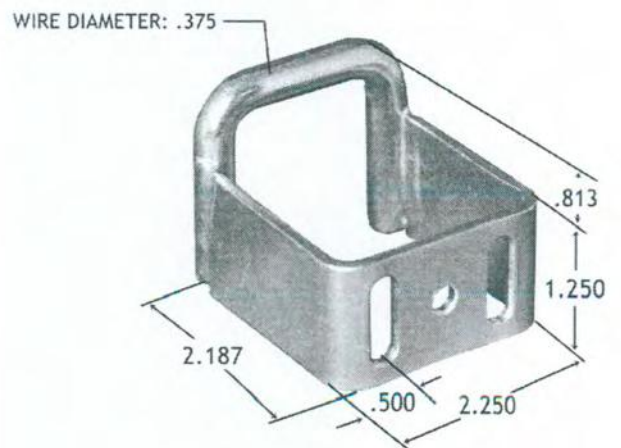


2925 Stephen Place Elkhart, IN 46514
Phone: 574-262-1575
Fax: 574-262-8765

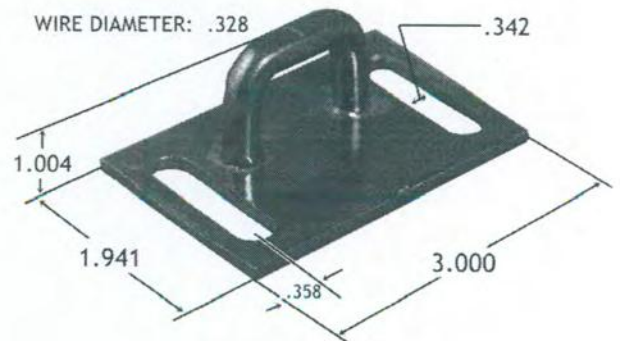
**WIRE CATCH
BRACKET**



PART# UBPA-W-2.312-Z



PART# RLWC-1.941-EB



WIRE CATCHES & BRACKETS

COMMONLY USED FOR ROTARY LOCKS, PLUNGER LOCKS, AND SLAM LOCKS TO NAME A FEW

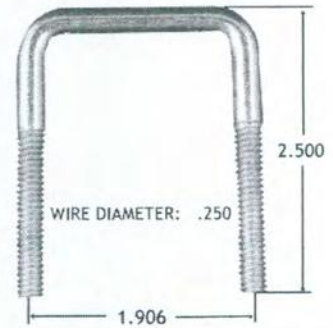
WIRE CATCH



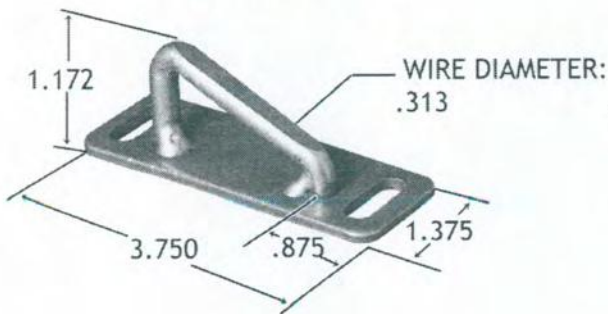
WIRE CATCH



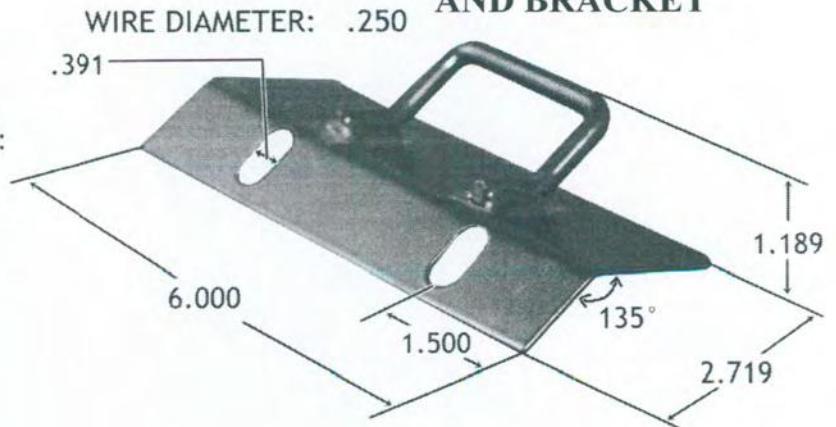
THREADED WIRE CATCH



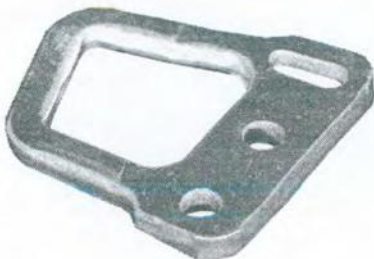
WIRE CATCH AND BRACKET



WIRE CATCH AND BRACKET



WIRE CATCH

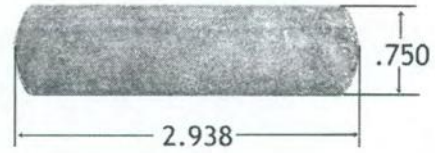
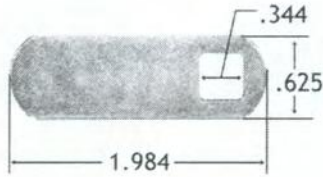


WIRE CATCH

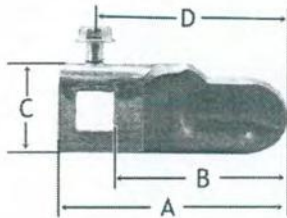


2925 Stephen Place Elkhart, IN 46514
Phone: 574-262-1575
Fax: 574-262-8765

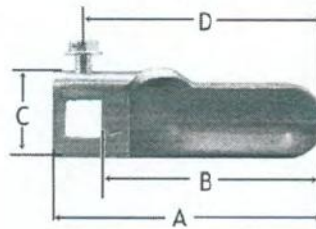
CAM LOCKS & INSIDE HANDLES



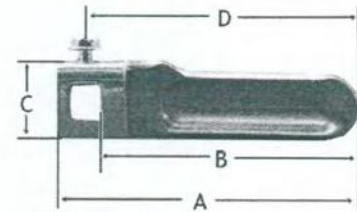
THC-2-3



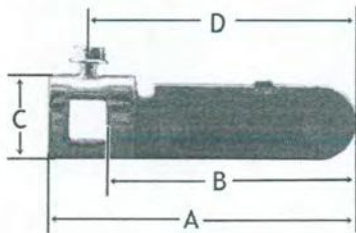
THC-2.5-3



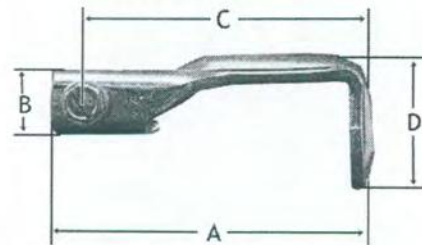
THC-2.6-2



THC-3-3



THC-3-3-WB

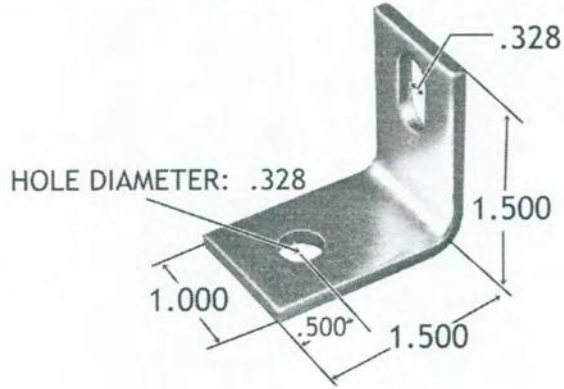


PART #	A	B	C	D	HOLE
THC-3-3	2.938	2.490	0.740	2.656	.325 X .325
THC-2.5-3	2.420	1.990	0.740	2.125	.325 X .325
THC-2-3	1.935	1.490	0.740	1.625	.325 X .325
THC-2.6-2	2.594	2.120	0.700	1.300	.325 X .340
THC-3-3-WB	2.235	0.470	1.800	0.960	.325 X .325

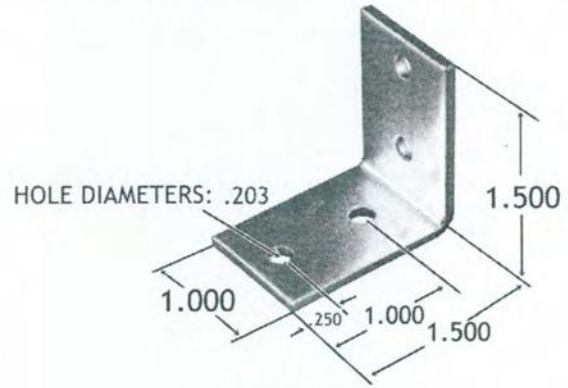
2925 Stephen Place Elkhart, IN 46514
 Phone: 574-262-1575
 Fax: 574-262-8765

"L" BRACKETS

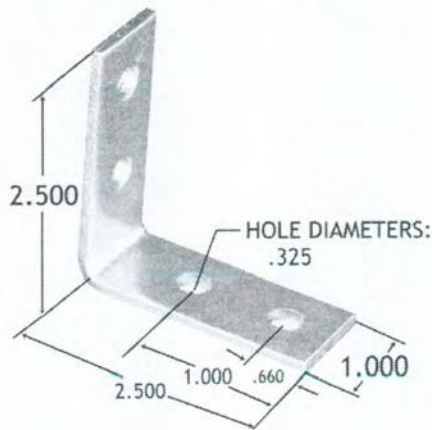
PART# ASB-.625EH-1.5-Z



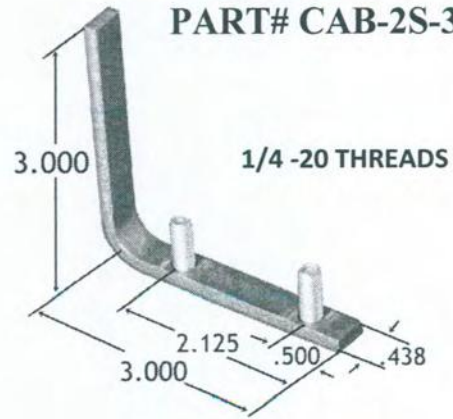
**ANGLE REAR CORNER BRACE
PART# ARCB-4H-1.5-BL**



PART# ALB-4H-2.5-Z

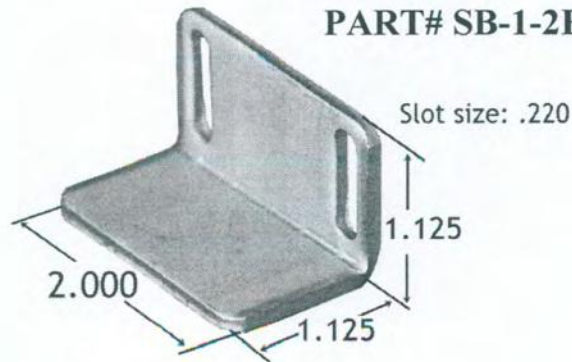


**NUT TRACK CORNER
PART# CAB-2S-3-EB**



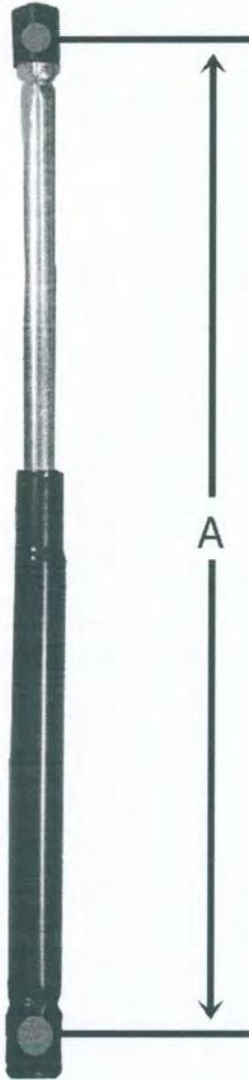
**"L" BRACKET &
STRIKER BRACKET**

PART# SB-1-2EH-EB





DOOR PROPS: SPRING PROP BALL SOCKET STYLE



"A" OPEN LENGTH	"A" CLOSED LENGTH	STROKE	OPEN PRESSURE	PART #
11-5/8"	8-1/2"	3-1/8"	16 LB	BS-16-12
14-3/8"	9-7/8"	4-1/2"	12 LB	BS-12-14
14-3/8"	9-7/8"	4-1/2"	14 LB	BS-14-14
14-3/8"	9-7/8"	4-1/2"	16 LB	BS-16-14
14-3/8"	9-7/8"	4-1/2"	18 LB	BS-18-14
14-3/8"	9-7/8"	4-1/2"	21 LB	BS-21-14
17-1/4"	11-1/4"	6"	16 LB	BS-16-17
17-1/4"	11-1/4"	6"	18 LB	BS-18-17
17-1/4"	11-1/4"	6"	21 LB	BS-21-17
17-1/4"	11-1/4"	6"	24 LB	BS-24-17
17-1/4"	11-1/4"	6"	28 LB	BS-28-17
17-1/4"	11-1/4"	6"	36 LB	BS-36-17

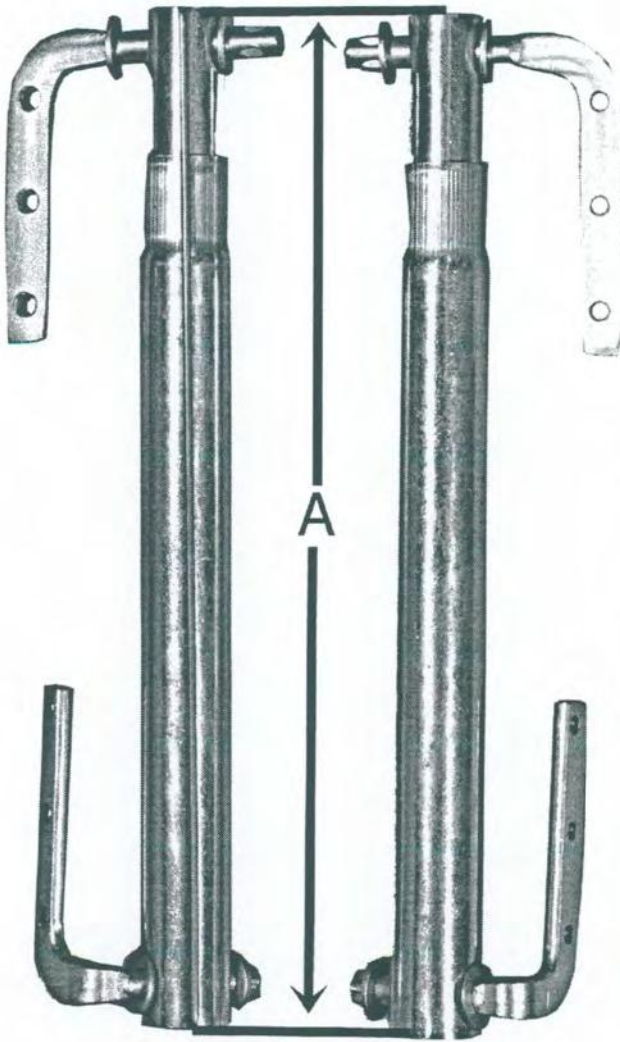
"A" OPEN LENGTH	"A" CLOSED LENGTH	STROKE	OPEN PRESSURE	PART #
16-5/8"	10-3/8"	6-1/4"	16 LB	BS-16-16
16-5/8"	10-3/8"	6-1/4"	12 LB	BS-12-16
19-5/8"	12"	7-5/8"	36 LB	BS-36-19
19-5/8"	12"	7-5/8"	28 LB	BS-28-19
19-5/8"	12"	7-5/8"	18 LB	BS-18-19
19-5/8"	12"	7-5/8"	16 LB	BS-16-19
24-3/8"	14-5/8"	9-3/4"	70 LB	BS-70-24
24-3/8"	15-1/4"	9-1/8"	53 LB	BS-53-24
24-3/8"	15-1/4"	9-1/8"	40 LB	BS-40-24
30-9/16"	18-1/8"	12-3/8"	36 LB	BS-36-30
38-1/2"	25-1/16"	13-7/16"	56 LB	BS-56-38
38-1/2"	23-7/16"	15-1/16"	46 LB	BS-46-38
38-1/2"	22"	16-3/8"	36 LB	BS-36-38

**These are special order with minimum order quantities*

2925 Stephen Place Elkhart, Indiana 46514
 Phone: 574-262-1575
 Fax: 574-262-8765



DOOR PROPS: SPRING PROP STD—GP & GPX STYLES



OPEN LENGTH A=18"
CLOSED LENGTH A=12"

OPTIONAL PRESSURES AND PART NUMBERS

36#	STD 36-12GP	STD 36-12 GPX
28#	STD 28-12GP	STD 28-12GPX
18#	STD 18-12GP	STD 18012GPX
16#	STD 16-12GP	STD 16-12GPX

OPEN LENGTH A=15"
CLOSED LENGTH A=10"

OPTIONAL PRESSURES AND PART NUMBERS

16#	STD 16-10GP	STD 16-10GPX
12#	STD 12-10GP	STD 12-10GPX

OPEN LENGTH A=11-1/4"
CLOSED LENGTH A=8"

OPTIONAL PRESSURES AND PART NUMBERS

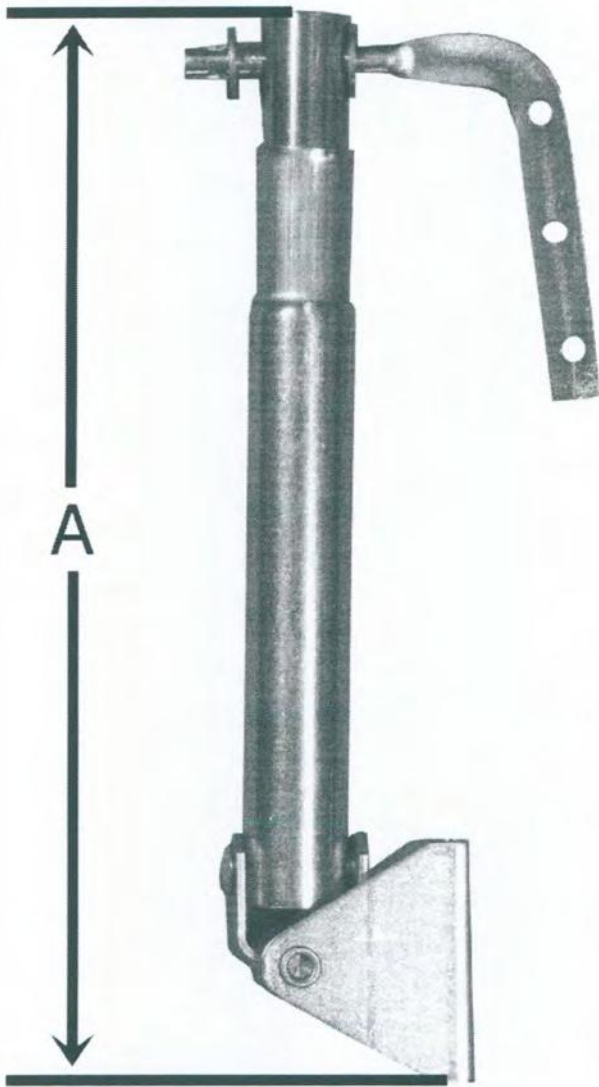
18#	STD 18-8GP	STD 18-8GPX
16#	STD 16-8GP	STD 16-8GPX

**These are special order with minimum order quantities*

2925 Stephen Place Elkhart, IN 46514
Phone: 574-262-1575
Fax: 574-262-8765



DOOR PROPS: SPRING PROP SWIVEL STYLE



OPEN LENGTH A=20"
CLOSED LENGTH A=13-1/16"

OPTIONAL PRESSURES AND PART NUMBERS

36#	STD	36-12 S2	S4	R2 OR R4
28#	STD	28-12 S2	S4	R2 OR R4
18#	STD	18-12 S2	S4	R2 OR R4
16#	STD	16-12 S2	S4	R2 OR R4

OPEN LENGTH A=17-1/8"
CLOSED LENGTH A=11-1/4"

OPTIONAL PRESSURES AND PART NUMBERS

16#	STD	16-10 S2	S4	R2 OR R4
12#	STD	12-10 S2	S4	R2 OR R4

OPEN LENGTH A=12-13/16"
CLOSED LENGTH A=8-13/16"

OPTIONAL PRESSURES AND PART NUMBERS

16#	STD	16-8 S2	S4	R2 OR R4
-----	-----	---------	----	----------

**These are special order with minimum order quantities*

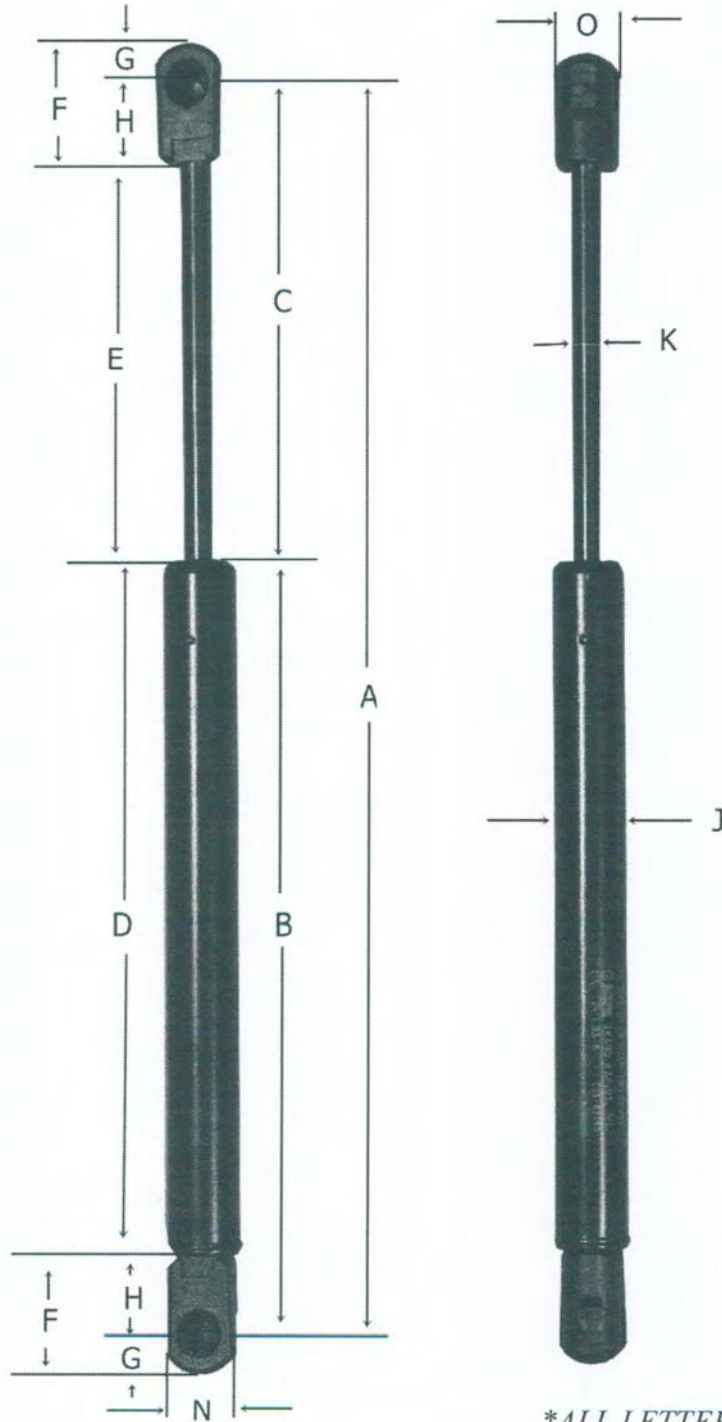
PART NUMBER CODE

S2 = 2 HOLE SWIVEL BRACKET STYLE
S4 = 4 HOLE SWIVEL BRACKET STYLE
R2 = 2 HOLE REGULAR BRACKET STYLE
R4 = 4 HOLE REGULAR BRACKET STYLE

2925 Stephen Place Elkhart, IN 46514
Phone: 574-262-1575
Fax: 574-262-8765



DOOR PROPS: GAS PROP BALL SOCKET STYLE



**ALL LETTER DIMENSIONS
AVAILABLE UPON REQUEST*

2925 Stephen Place Elkhart, IN 46514
Phone: 574-262-1575
Fax: 574-262-8765



DOOR PROPS: GAS PROP BALL SOCKET STYLE

"A"	"B"	STROKE "E"	OPEN PRESSURE	PART NUMBER	END FITTING STYLE
17-1/16"	10-15/16"	6-1/8"	24 LB	GP-24-17	.390/10mm
17-1/16"	10-15/16"	6-1/8"	28 LB	GP-28-17	.390/10mm
17-1/16"	10-15/16"	6-1/8"	35 LB	GP-35-17	.390/10mm
17-1/16"	10-15/16"	6-1/8"	40 LB	GP-40-17	.390/10mm
17-1/16"	10-15/16"	6-1/8"	47 LB	GP-47-17	.390/10mm
17-1/16"	10-15/16"	6-1/8"	55 LB	GP-55-17	.390/10mm
17-1/16"	10-15/16"	6-1/8"	60 LB	GP-60-17	.390/10mm
17-1/16"	10-15/16"	6-1/8"	80 LB	GP-80-17	.390/10mm
17-1/16"	10-15/16"	6-1/8"	105 LB	GP-105-17	.390/10mm
17-1/16"	10-15/16"	6-1/8"	120 LB	GP-120-17	.390/10mm
17-1/16"	10-15/16"	6-1/8"	135 LB	GP-135-17	.390/10mm
14-1/2"	9-3/4"	4-3/4"	24 LB	GP-24-14	.390/10mm
12"	8-1/4"	3-3/4"	19LB	GP-19-12	.390/10mm
19-3/4"	12"	7-3/4"	60 LB	GP-60-20	.390/10mm
19-3/4"	12"	7-3/4"	80 LB	GP-80-20	.390/10mm
19-3/4"	12"	7-3/4"	100 LB	GP-100-20	.390/10mm
26-1/2"	16-5/8"	9-7/8"	74 LB	GP-74-26	STUD STYLE
26-1/2"	16-5/8"	9-7/8"	84 LB	GP-84-26	SHAFT
26-1/2"	16-5/8"	9-7/8"	94 LB	GP-94-26	.310 DIA x 5/8" LONG

**OTHER LETTER DIMENSIONS
AVAILABLE UPON REQUEST*

**2925 Stephen Place Elkhart, IN 46514
Phone: 574-262-1575
Fax: 574-262-8765**



DOOR PROPS PUSHBUTTON PROP STYLES

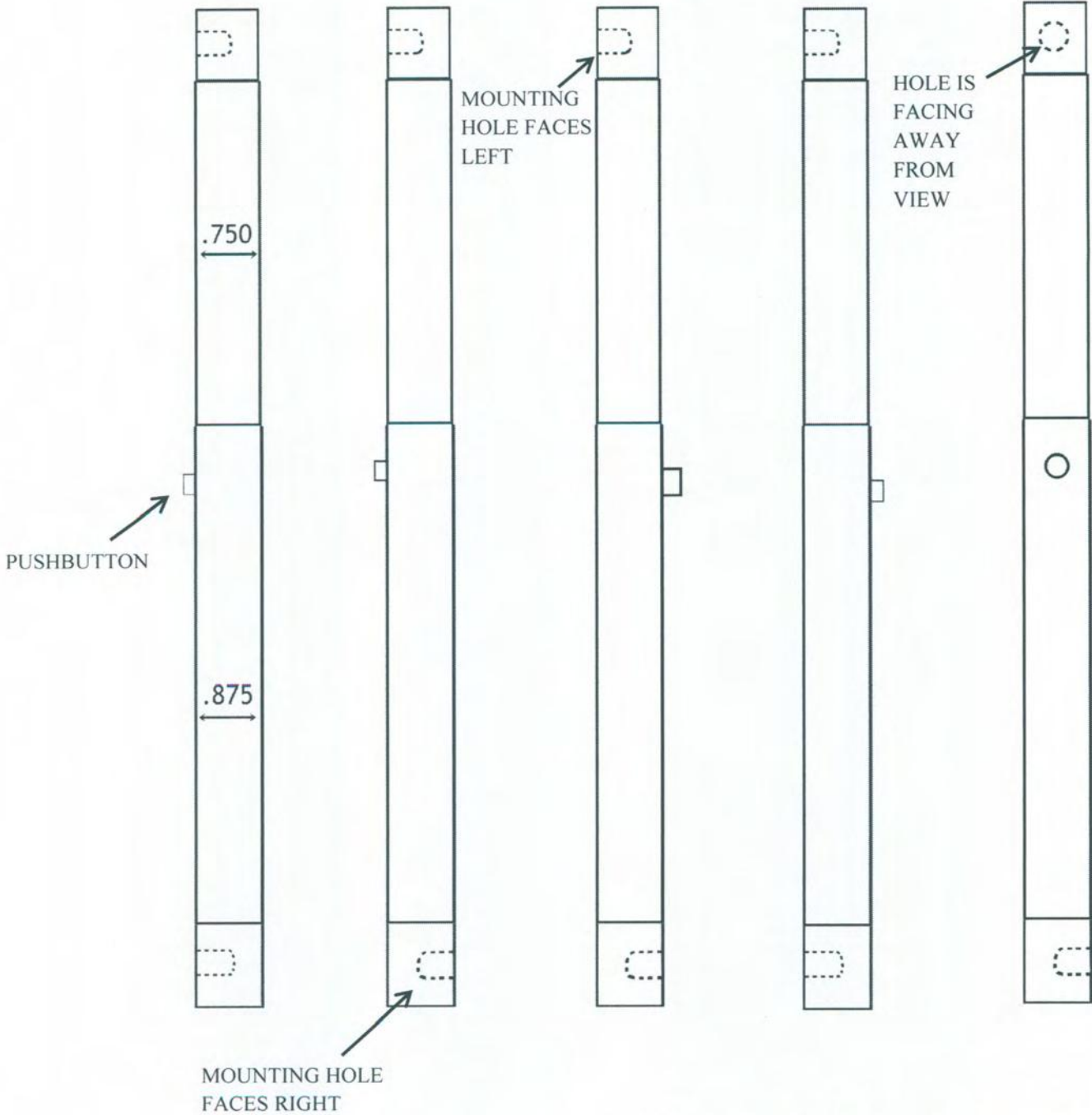
BS-PB-1*

BS-PB-2*

BS-PB-3*

BS-PB-4*

BS-PB-5*



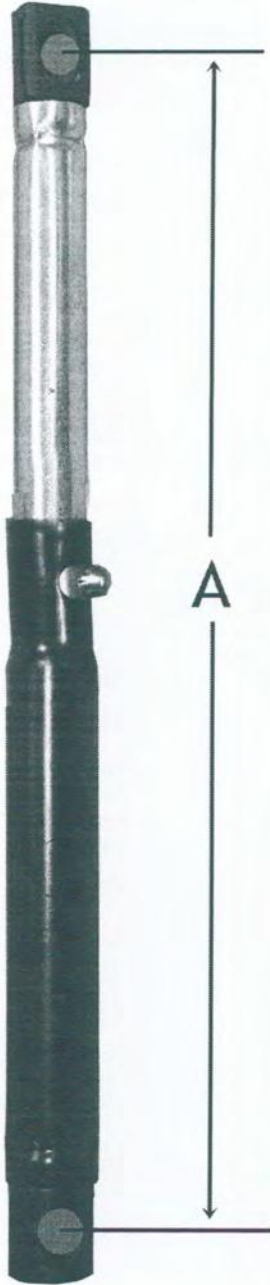
**CHOOSE PUSHBUTTON PROP LENGTH*

2925 Stephen Place Elkhart, IN 46514
 Phone: 574-262-1575
 Fax: 574-262-8765

**These are special order with minimum order quantities*



DOOR PROPS: PUSHBUTTON PROP BALL SOCKET STYLE



"A" OPEN LENGTH	"A" CLOSED LENGTH	STROKE	PART #
11-5/8"	8-1/2"	3-1/8"	BS-PB-X-12
14-3/8"	9-7/8"	4-1/2"	BS-PB-X-14
16-5/8"	10-3/8"	6-1/4"	BS-PB-X-16
17-1/4"	11-1/4"	6"	BS-PB-X-17
19-5/8"	12"	7-5/8"	BS-PB-X-19
24-3/8"	15-1/4"	9-1/8"	BS-PB-X-24
30-9/16"	18-1/8"	12-3/8"	BS-PB-X-30
38-1/2"	22"	16-3/8"	BS-PB-X-38

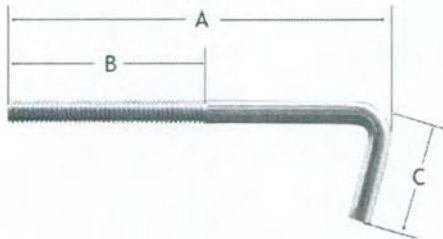
**These are special order with minimum order quantities*

2925 Stephen Place Elkhart, IN 46514
 Phone: 574-262-1575
 Fax: 574-262-8765

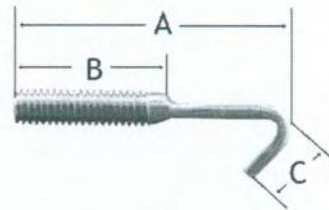
J BOLTS J HOOKS

J BOLTS

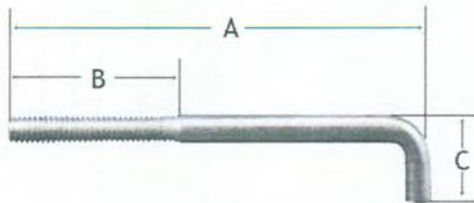
JB-1



JB-2 OR JB-12

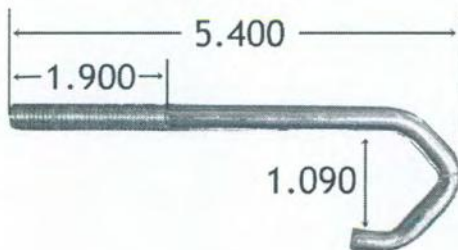


JB-7

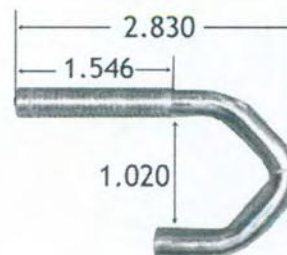


PART #	A	B	C
JB-1	2.250	2.062	1.281
JB-2	3.125	2.000	0.590
JB-12	1.750	1.125	0.590
JB-7	4.000	2.000	1.200

JB-14



JB-15



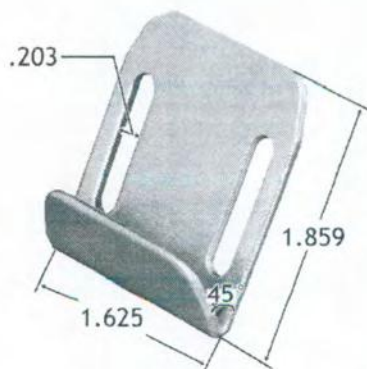
PART# JB-HR-7.875-EB

PART# JB-HR-15.250-EB

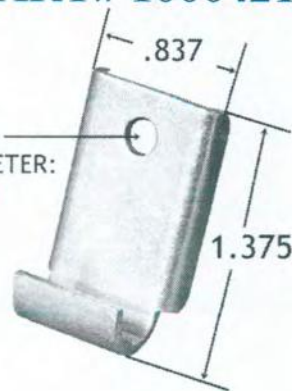


J HOOKS

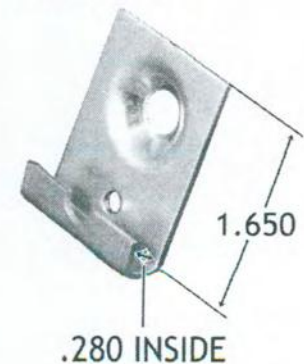
PART# 1000421



HOLE
DIAMETER:
0.203



JH-1 0.060 THICK STEEL
JH-1A .090 THICK
ALUMINUM

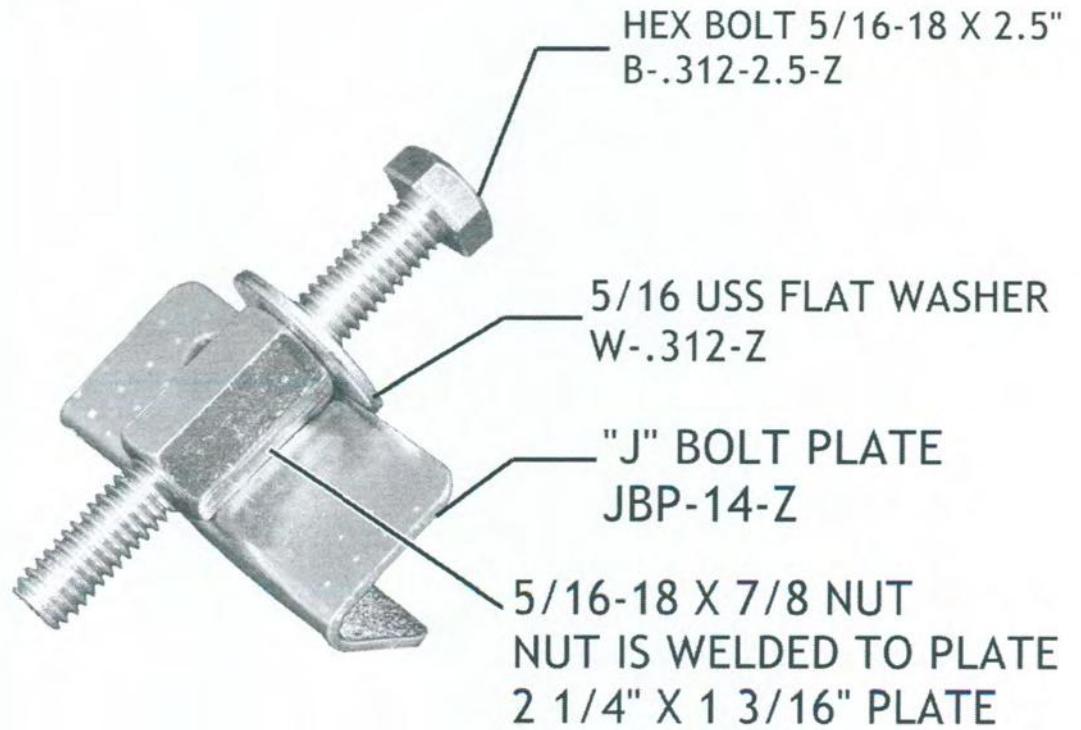


2925 Stephen Place Elkhart, IN 46514

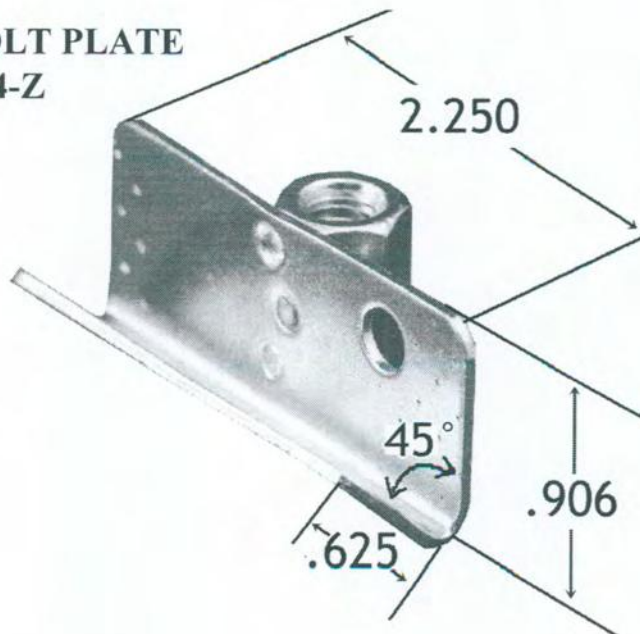
Phone: 574-262-1575

Fax: 574-262-8765

"J" BOLT PLATE



"J" BOLT PLATE
JBP-14-Z



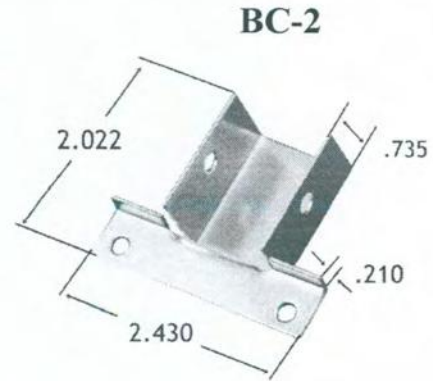
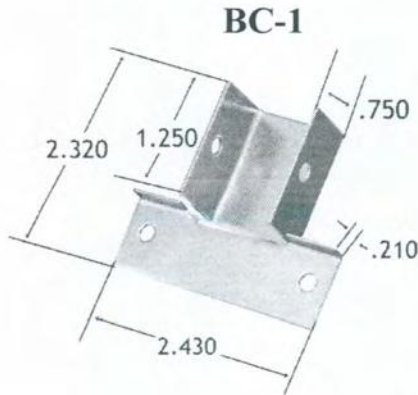
2925 Stephen Place Elkhart, Indiana 46514
Phone: 574-262-1575
Fax: 574-262-8765



BOWCLIPS CORNER KEYS NAIL HEADED BOLTS

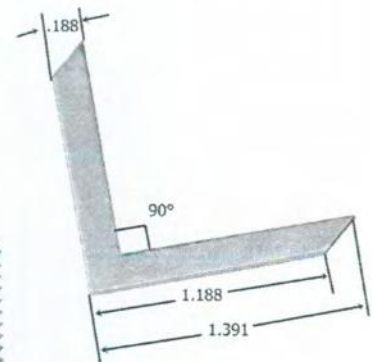
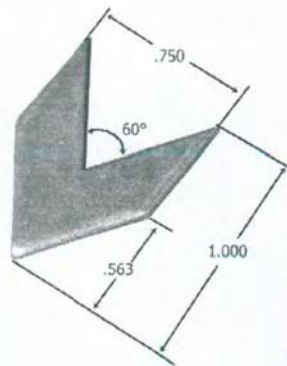
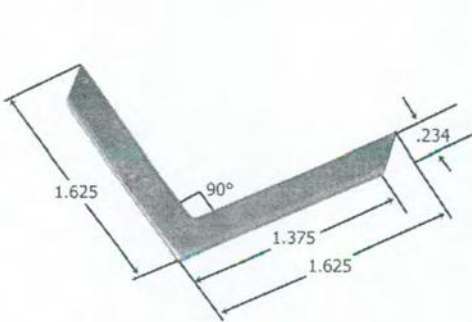
BOWCLIPS

WILL ALIGN TUBES TO 90° AND MAKE A STRONGER JOINT



CORNER KEYS

WILL ALIGN IN TWO PIECES AND MAKE A STRONGER JOINT



NAIL HEADED BOLTS

WHEN PRESSED INTO WOOD OR SOFT MATERIAL, WILL HOLD IT IN PLACE TO PUT ON NUT



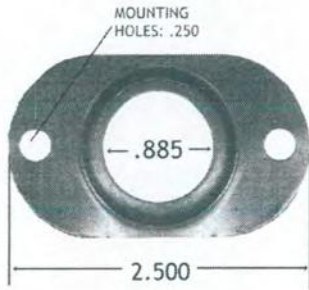
2925 Stephen Place Elkhart, Indiana 46514
Phone: 574-262-1575
Fax: 574-262-8765

LADDER MOUNTING PADS J HOOKS

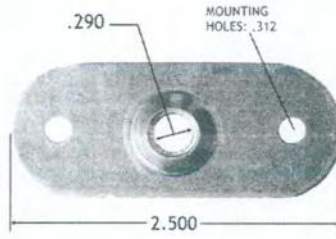
**THICKNESS AND ALLOY
INFORMATION AVAILABLE
UPON REQUEST*

LADDER MOUNTING PADS

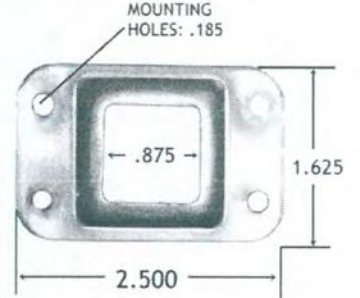
LP-10V-1-25



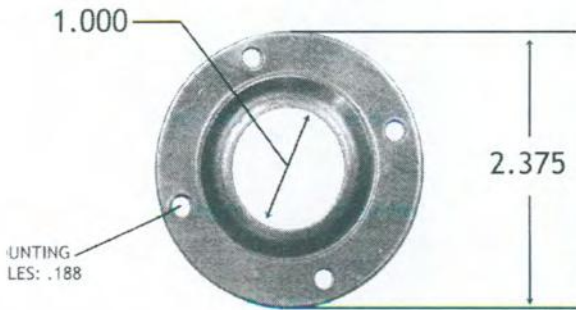
LP-3-BO



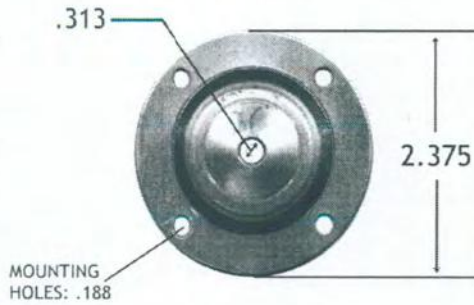
LP-5R-87



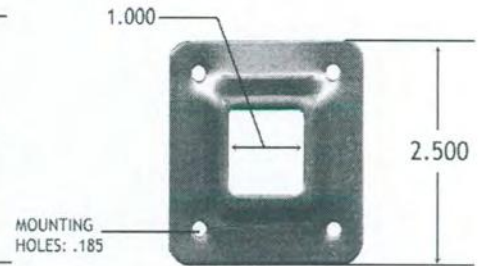
LP-1R-1



LP-2R-BO



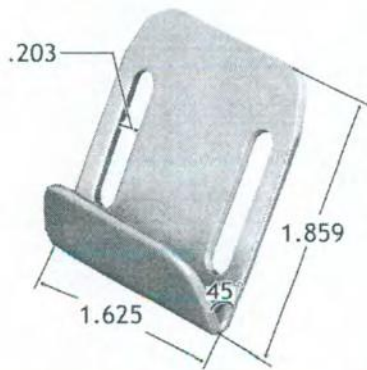
LP-6S-1



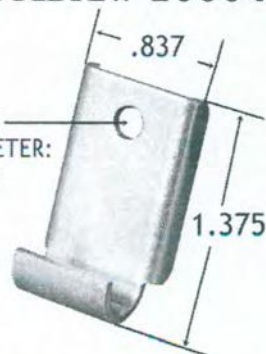
LP-7S-81 HOLE 13/16"
LP-4S-93 HOLE 15/16"

J HOOKS

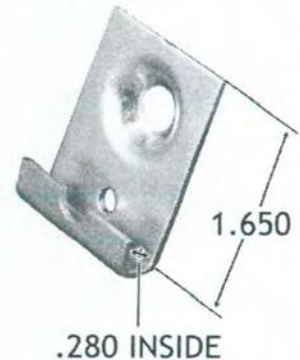
PART# 1000421



HOLE
DIAMETER:
0.203



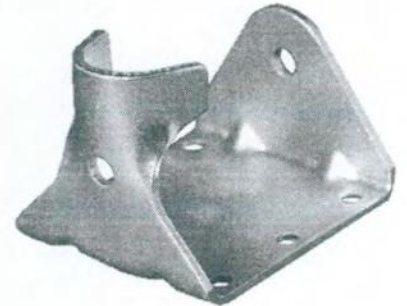
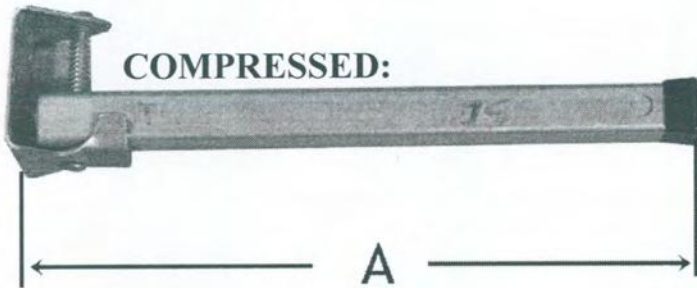
**JH-1 0.060 THICK STEEL
JH-1A .090 THICK
ALUMINUM**



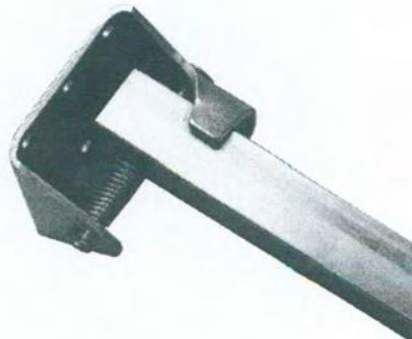
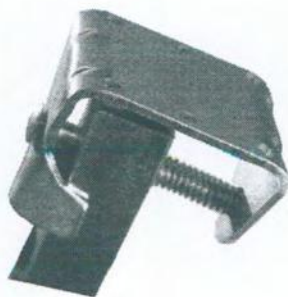
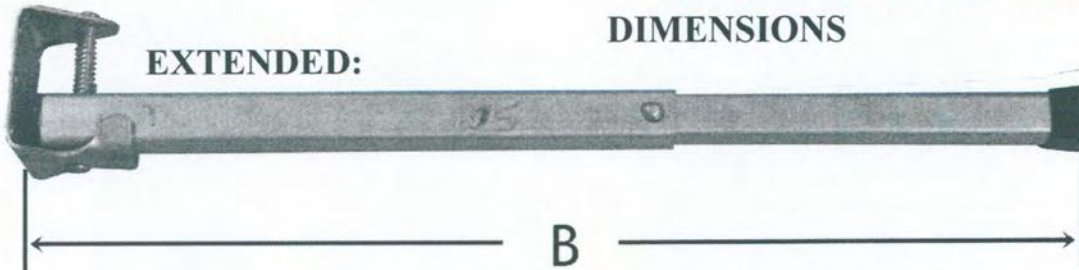
2925 Stephen Place Elkhart, Indiana 46514
Phone: 574-262-1575
Fax: 574-262-8765

TOP MOUNT TABLE LEG

TABLE LEG BRACKET
PART# TLB-TM-0.875-CU



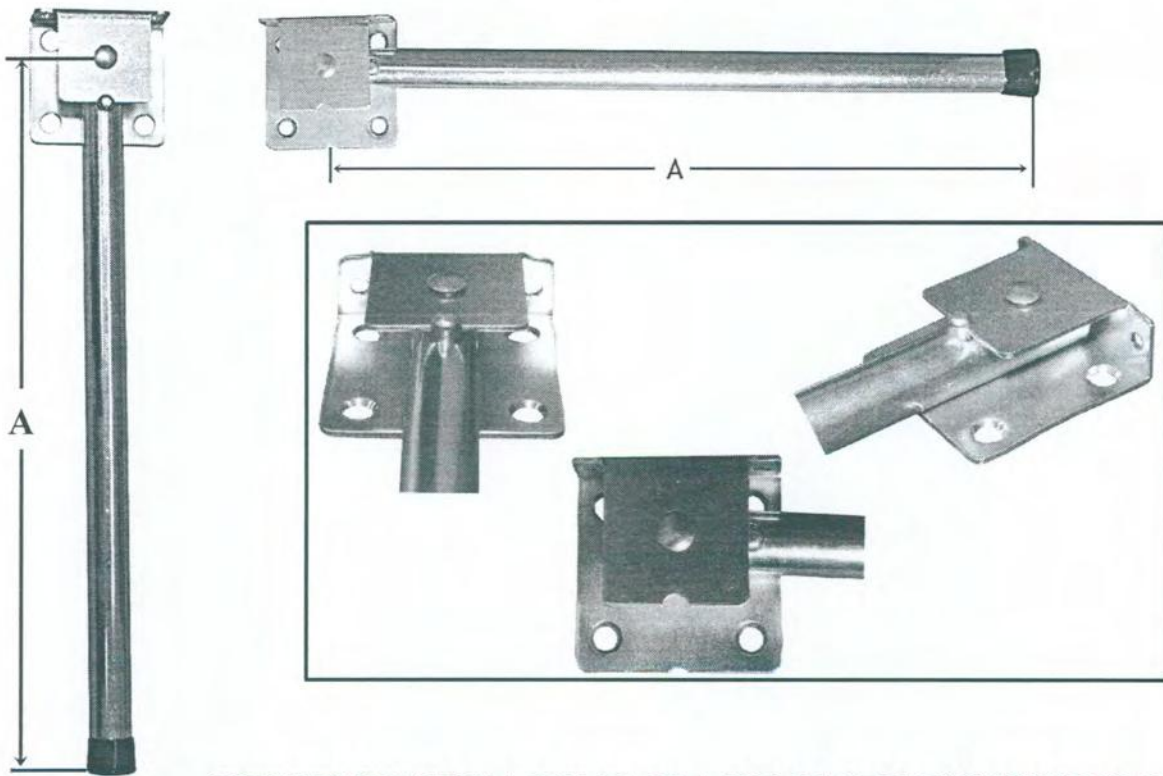
QMP CAN CUSTOMIZE ANY STYLE
TABLE LEG TO YOUR REQUIRED
DIMENSIONS



2925 Stephen Place Elkhart, IN 46514
Phone: 574-262-1575
Fax: 574-262-8765

TABLE LEGS

SIDE MOUNT TABLE LEG



CUSTOMIZABLE TABLE LEGS/SUPPORT

HERE IS JUST ONE EXAMPLE OF
THE MANY WAYS WE CAN
CUSTOMIZE A TABLE LEG TO FIT
YOUR NEEDS:

HEAVY DUTY ADJUSTABLE TELESCOPING STRUT

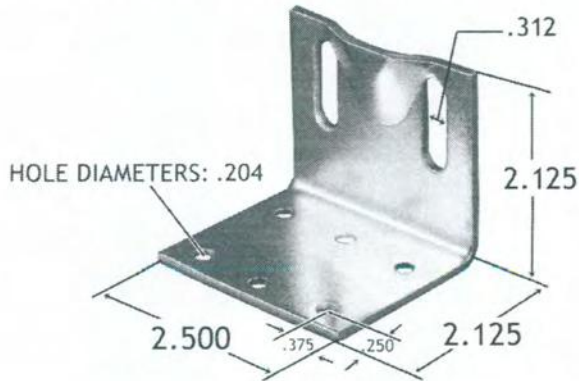
ADJUSTABLE LENGTHS
25.000
31.000
37.000
43.000



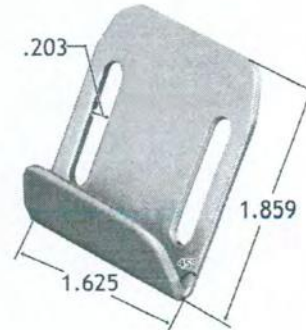
2925 Stephen Place Elkhart, IN 46514
Phone: 574-262-1575
Fax: 574-262-8765

LOCK STRIKE BRACKETS & PLATES

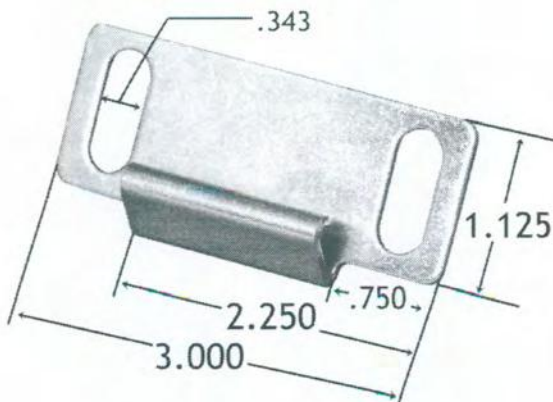
PART# CLSSB-2.5-YZ



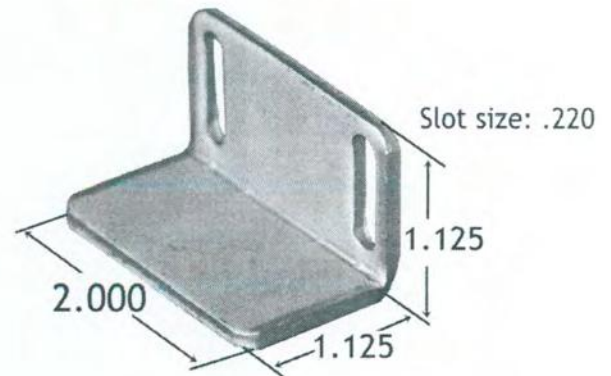
J HOOK



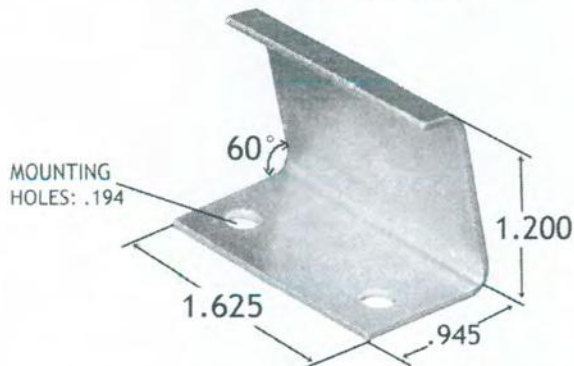
PART# SPB-3-2B-Z



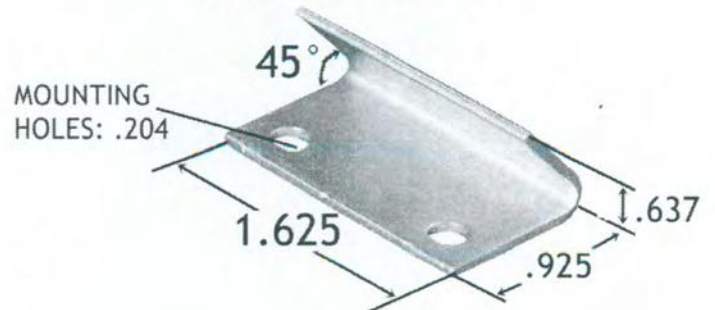
PART# SB-1-2EH-EB



PART# SP-1.125-Z

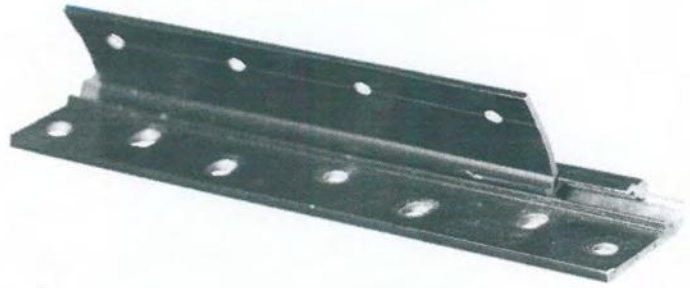


PART# SP-.687-45

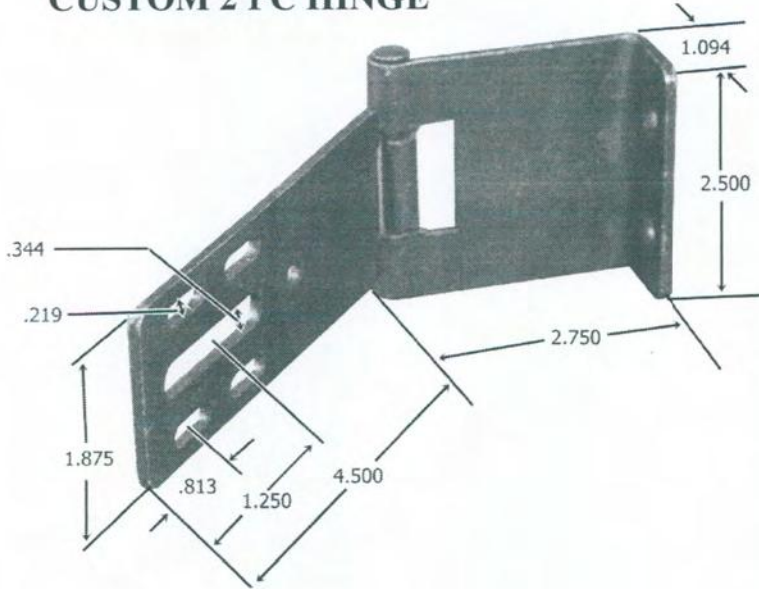


2925 Stephen Place Elkhart, IN 46514
Phone: 574-262-1575
Fax: 574-262-8765

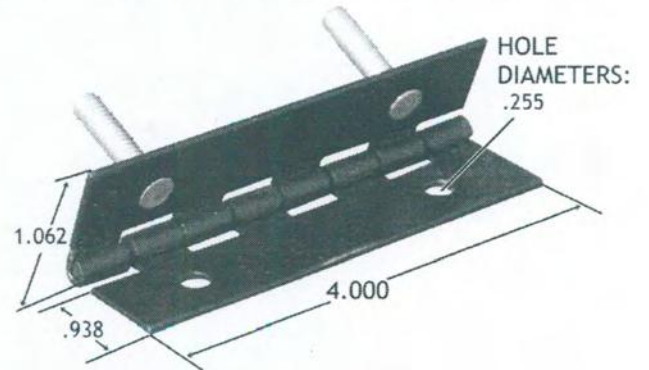
HINGES



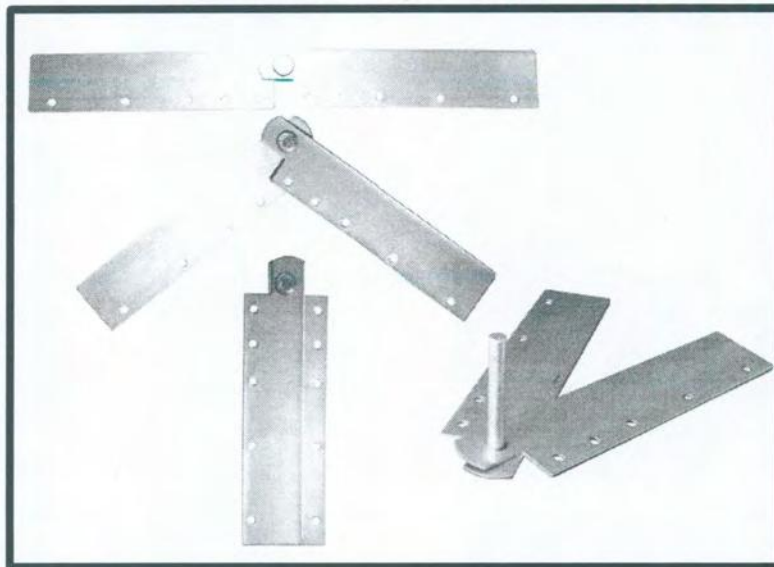
CUSTOM 2 PC HINGE



PART# WHS-4-4-2-2CS-BP



SNOWMOBILE BLADE HINGE



2925 Stephen Place Elkhart, IN 46514
Phone: 574-262-1575
Fax: 574-262-8765



RELEASE LATCH HANDLES

**QMP CAN HELP YOU
DESIGN AND PRODUCE
A VAST VARIETY OF
WIRE PRODUCTS**

JUST GIVE US A CALL!



**2925 Stephen Place Elkhart, IN 46514
Phone: 574-262-1575
Fax: 574-262-8765**

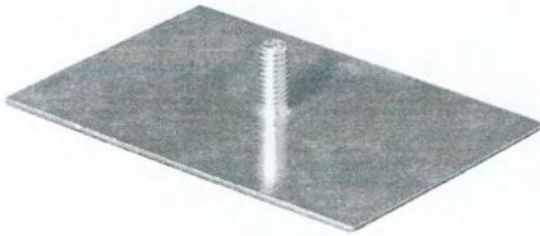


LAMINATION & BACKER PLATES NUT TRACKS

LAMINATION AND BACKER PLATES

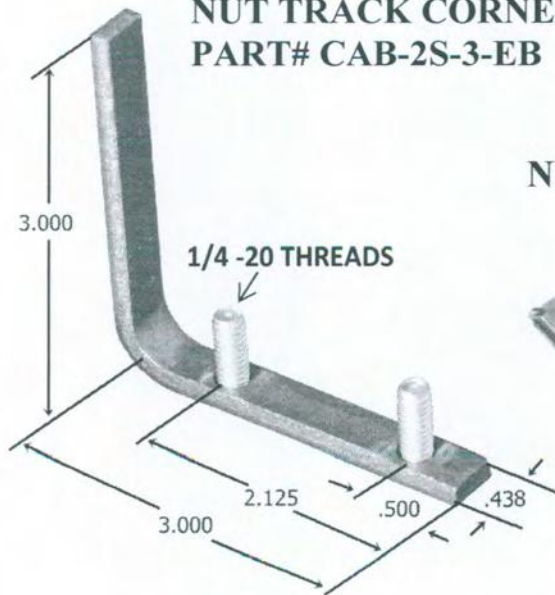
Material type and thickness is
customizable

LAMINATION
PLATE WITH
CLINCH STUD

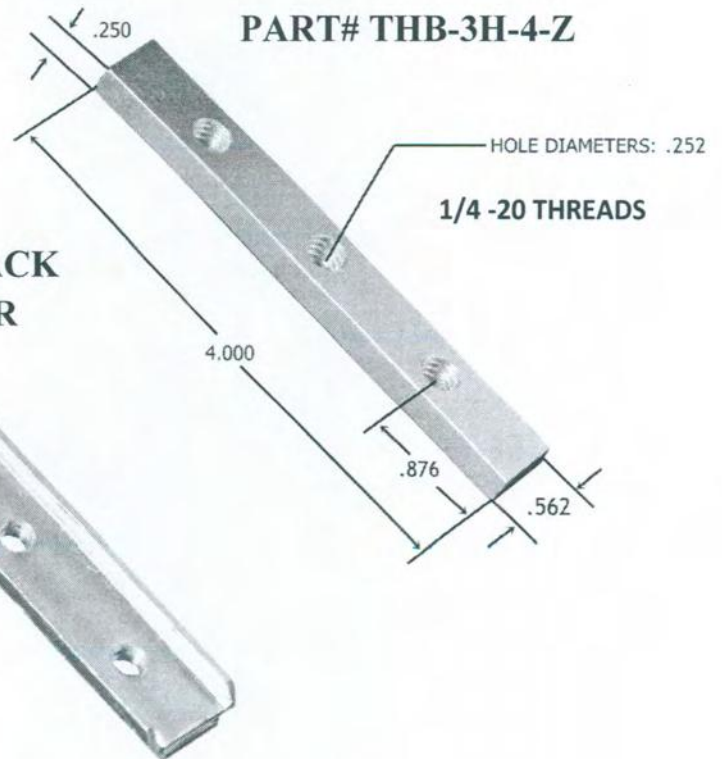


NUT TRACKS

NUT TRACK CORNER
PART# CAB-2S-3-EB



PART# THB-3H-4-Z

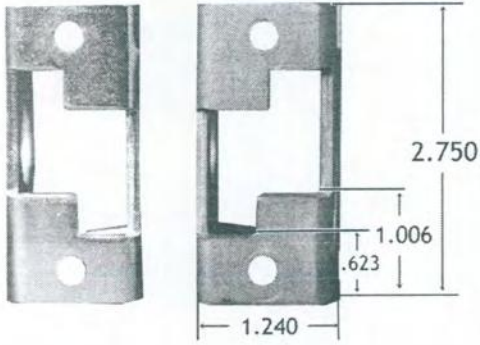


NUT TRACK
SLIDER

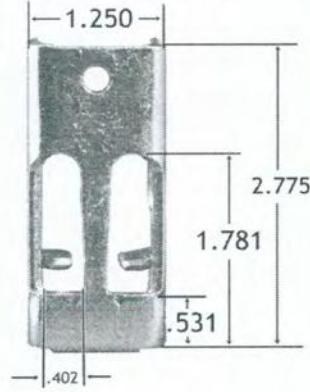
2925 Stephen Place Elkhart, Indiana 46514
Phone: 574-262-1575
Fax: 574-262-8765

ARMREST BRACKETS FOR SEAT FRAMES

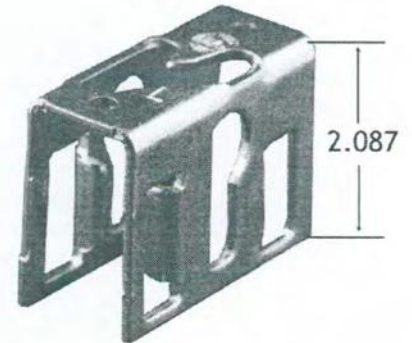
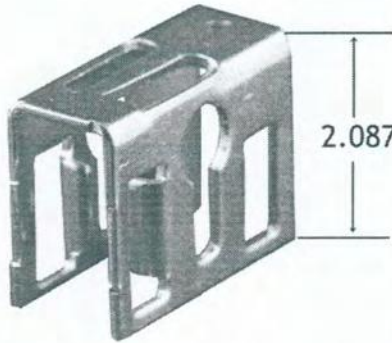
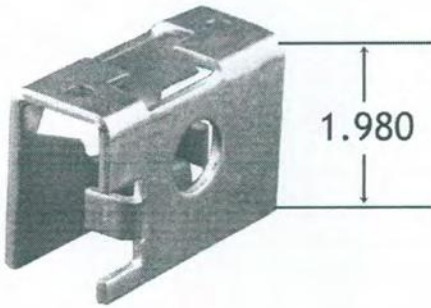
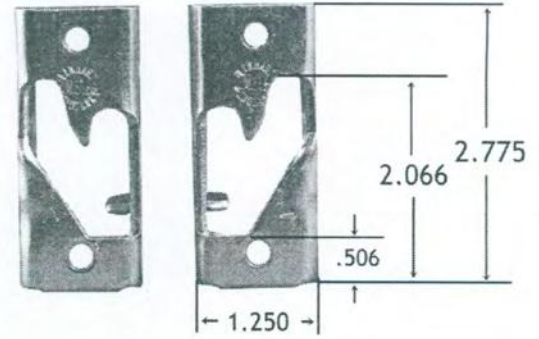
**ARB-1
TWO POSITION**



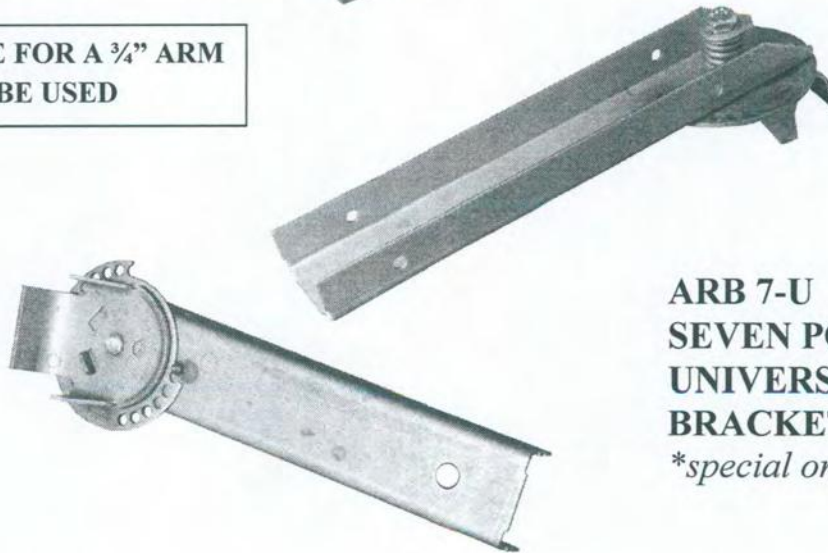
**ARB-6U
UNIVERSAL**



**ARB-8
TWO POSITION**



ALL ARE MADE FOR A 3/4" ARM
PIN TO BE USED

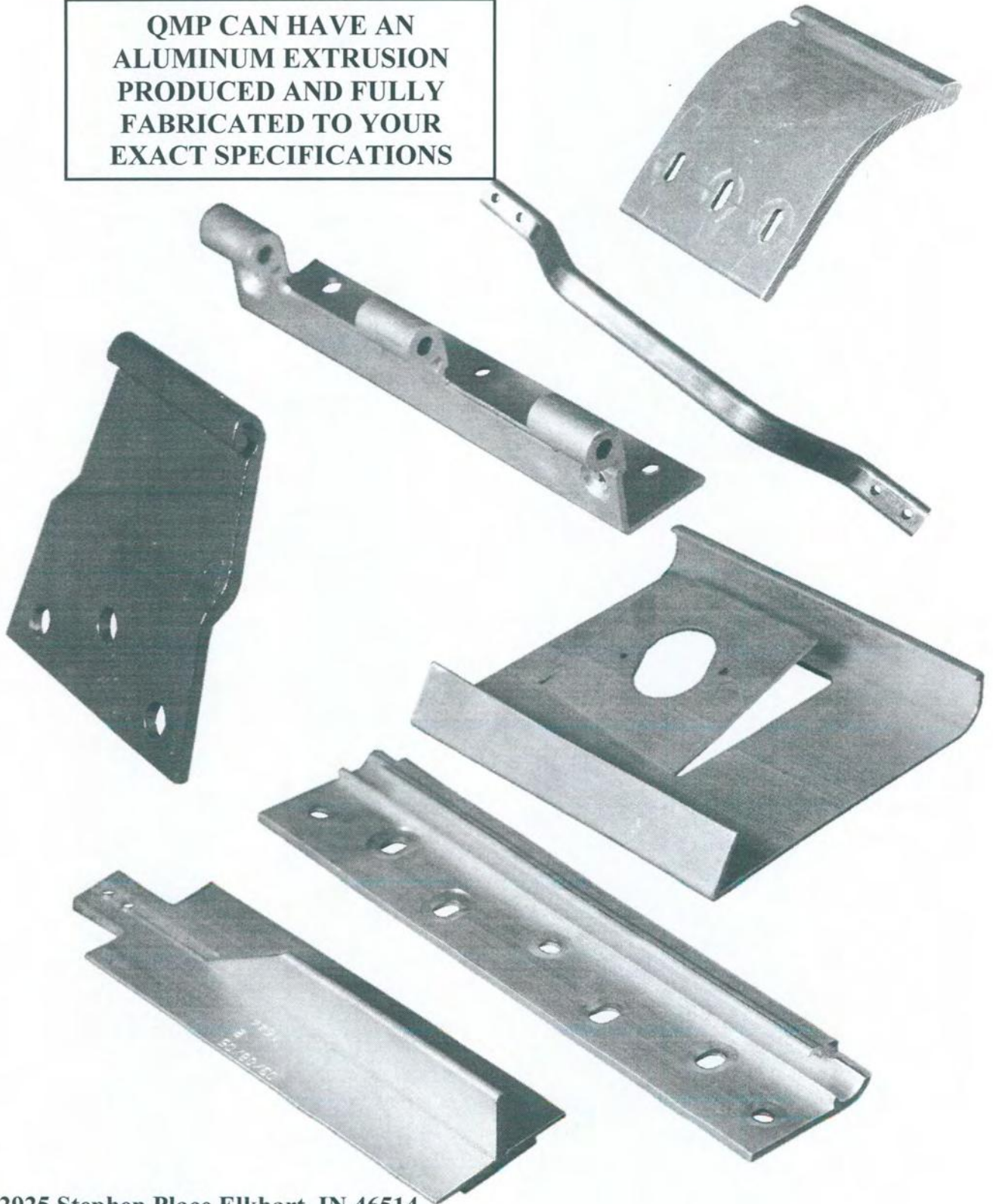


**ARB 7-U
SEVEN POSITION
UNIVERSAL ARMREST
BRACKET**

**special order only*

2925 Stephen Place Elkhart, Indiana 46514
Phone: 574-262-1575
Fax: 574-262-8765

QMP CAN HAVE AN
ALUMINUM EXTRUSION
PRODUCED AND FULLY
FABRICATED TO YOUR
EXACT SPECIFICATIONS



2925 Stephen Place Elkhart, IN 46514
Phone: 574-262-1575
Fax: 574-262-8765

FENDER STRUTS GRAB HANDLES

FENDER STRUTS

FS-CU-22.25-EB

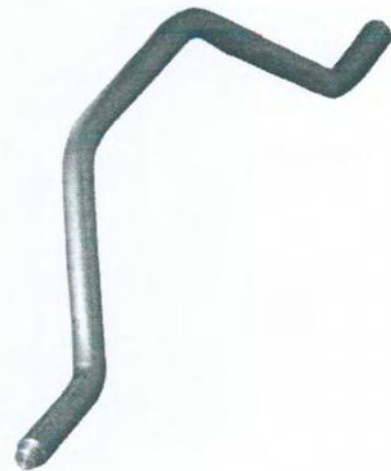


AT-FE-2H-14.975



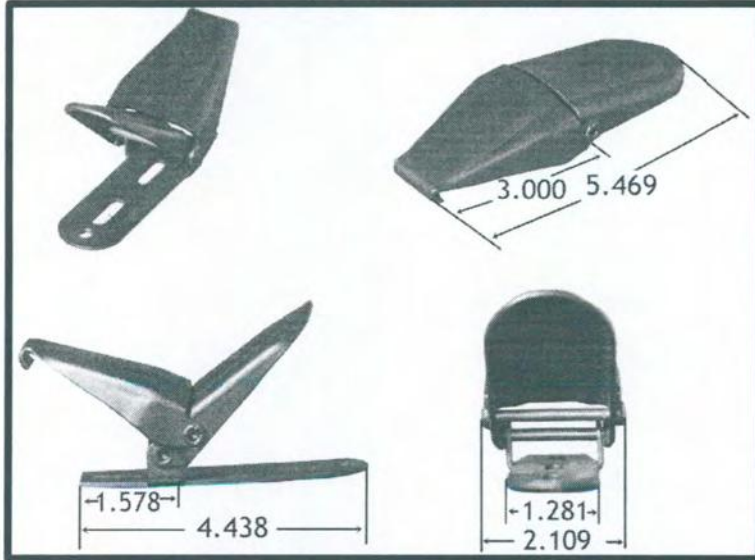
GRAB HANDLES

Material type and
diameter is customizable

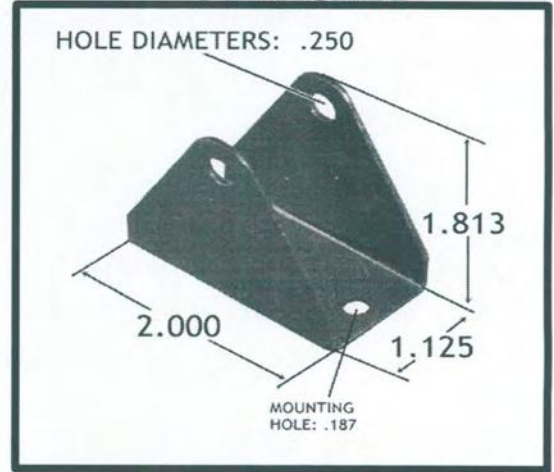


2925 Stephen Place Elkhart, Indiana 46514
Phone: 574-262-1575
Fax: 574-262-8765

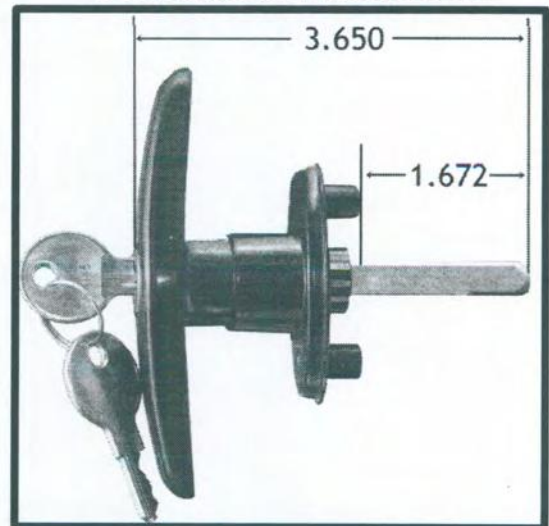
THROW OVER CAM LATCH



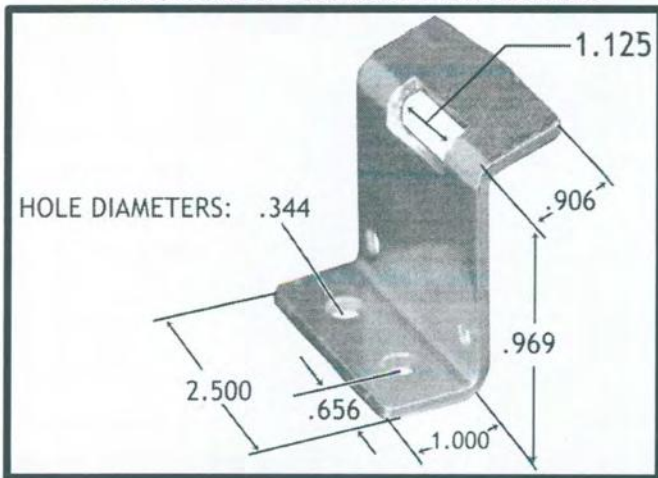
U BRACKET



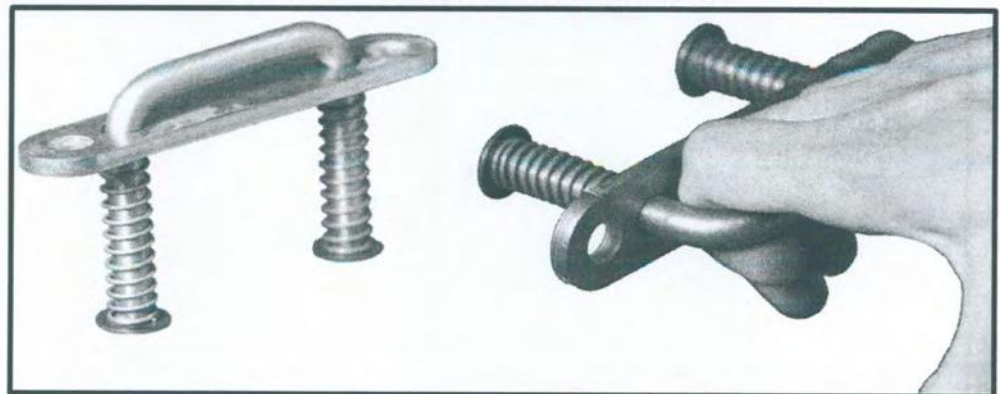
T HANDLE WITH KEY



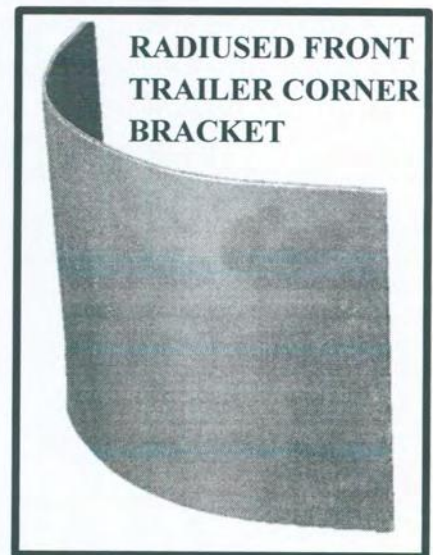
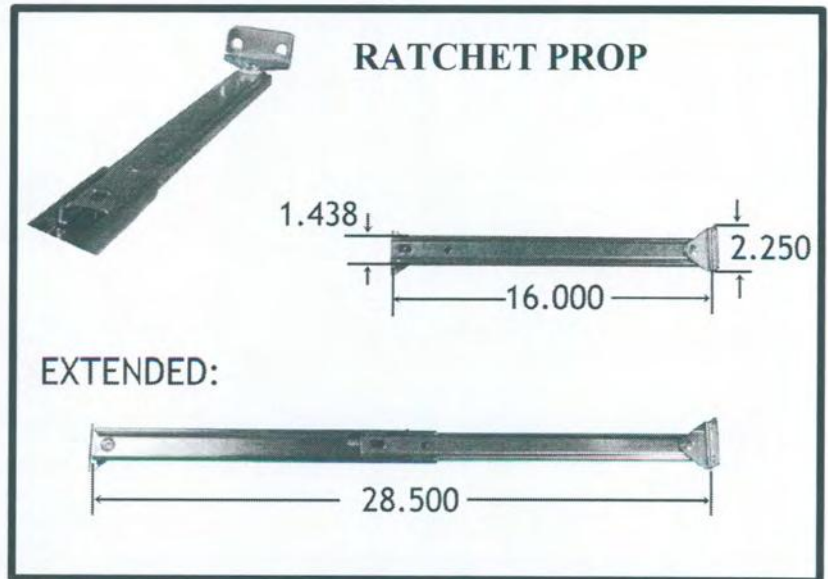
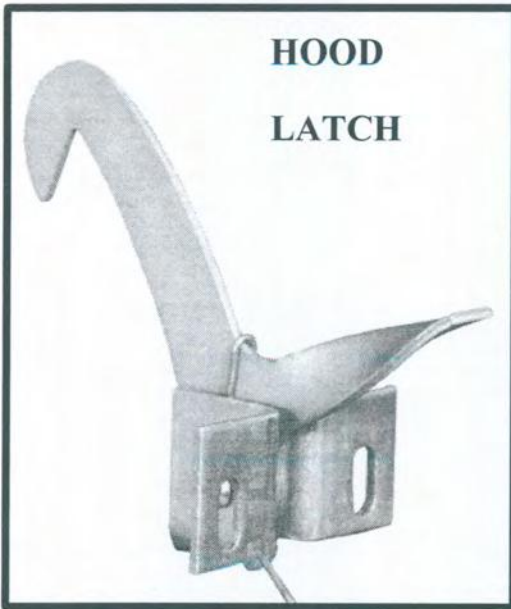
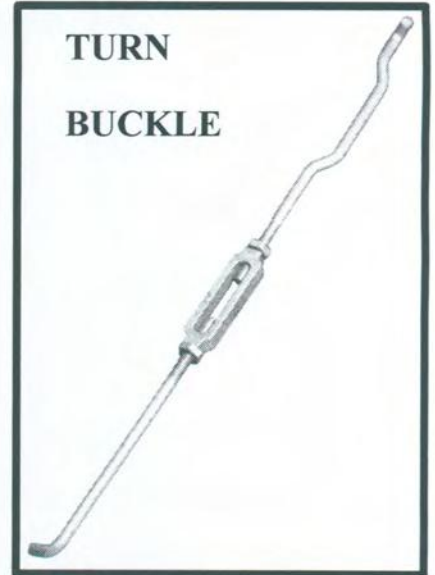
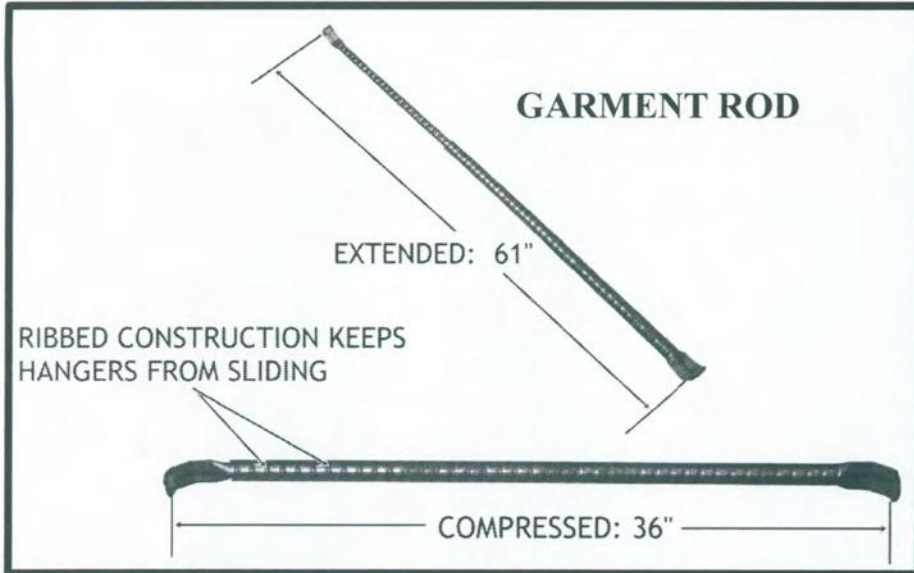
BAYONET HINGE BRACKET



PULL OUT HORSE TIE UP



2925 Stephen Place Elkhart, IN 46514
Phone: 574-262-1575
Fax: 574-262-8765

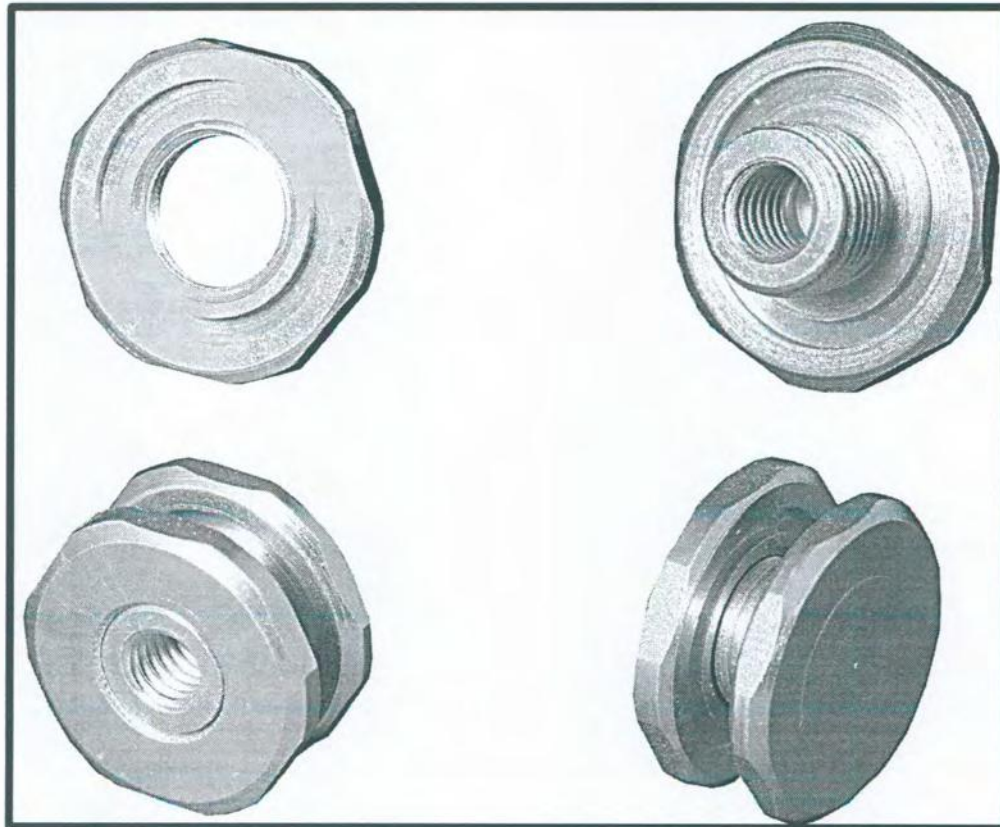
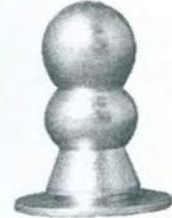
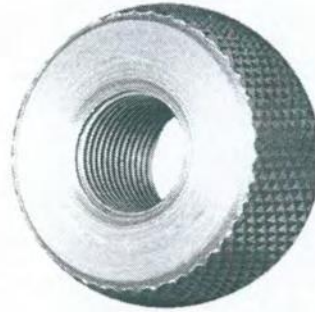


2925 Stephen Place Elkhart, IN 46514
Phone: 574-262-1575
Fax: 574-262-8765



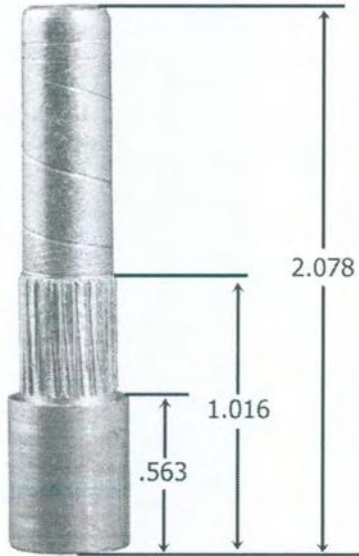
2925 Stephen Place Elkhart, Indiana 46514
Phone: 574-262-1575
Fax: 574-262-8765

**HERE IS JUST A SMALL
EXAMPLE OF SOME OF THE
CUSTOM SCREW MACHINE
PARTS QMP PRODUCES.
CAPABILITIES UP TO 1 1/2"
DIAMETER**

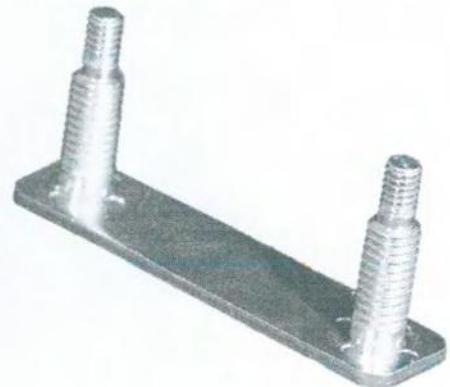
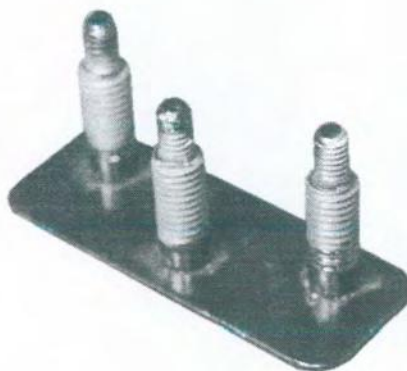


**2925 Stephen Place Elkhart, IN 46514
Phone: 574-262-1575
Fax: 574-262-8765**

CUSTOM SCREW MACHINE

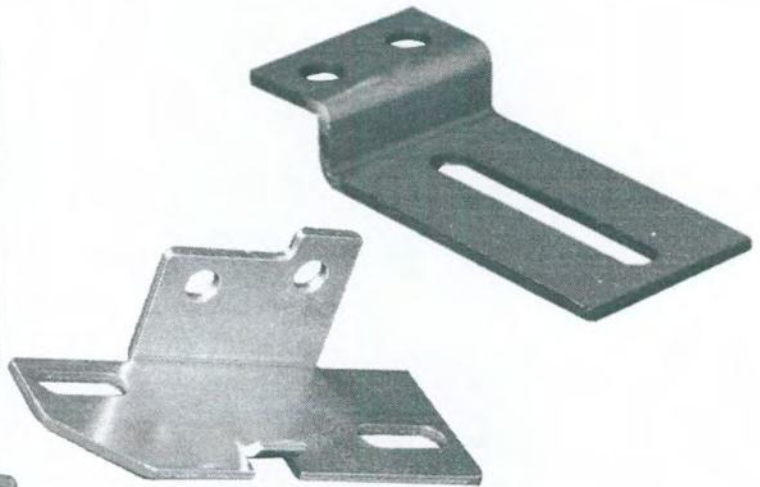


HERE IS JUST A SMALL
EXAMPLE OF SOME OF THE
CUSTOM SCREW MACHINE
PARTS QMP PRODUCES.
CAPABILITIES UP TO 1 1/2"
DIAMETER

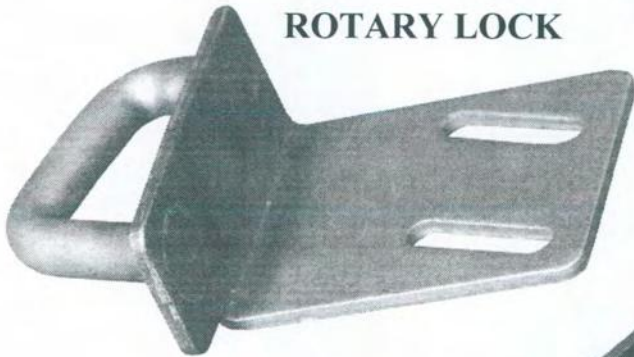


2925 Stephen Place Elkhart, IN 46514
Phone: 574-262-1575
Fax: 574-262-8765

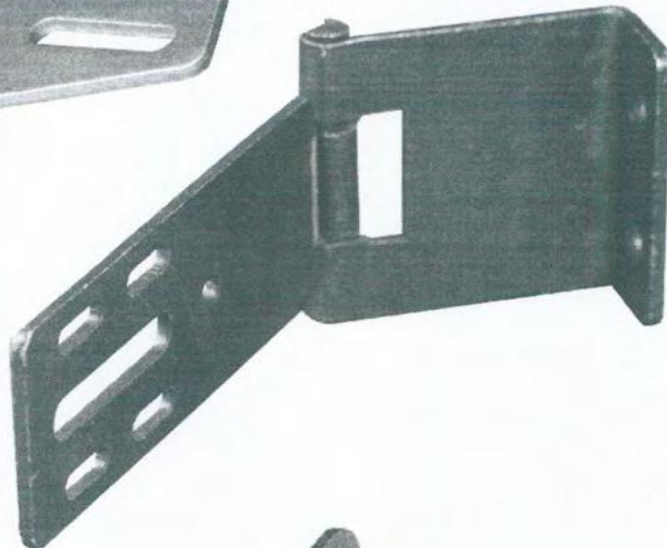
QMP has its own in-house tooling department. We would be happy to assist you in designing your custom part, and making tooling to produce it here at QMP



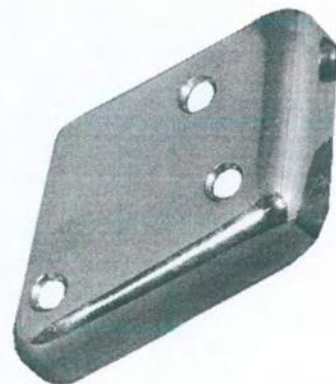
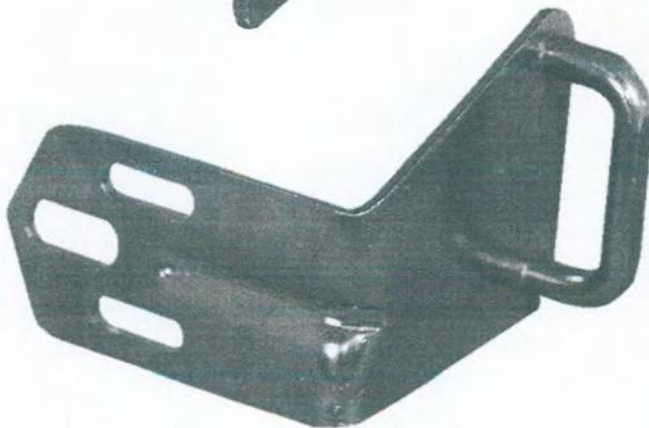
ROTARY LOCK



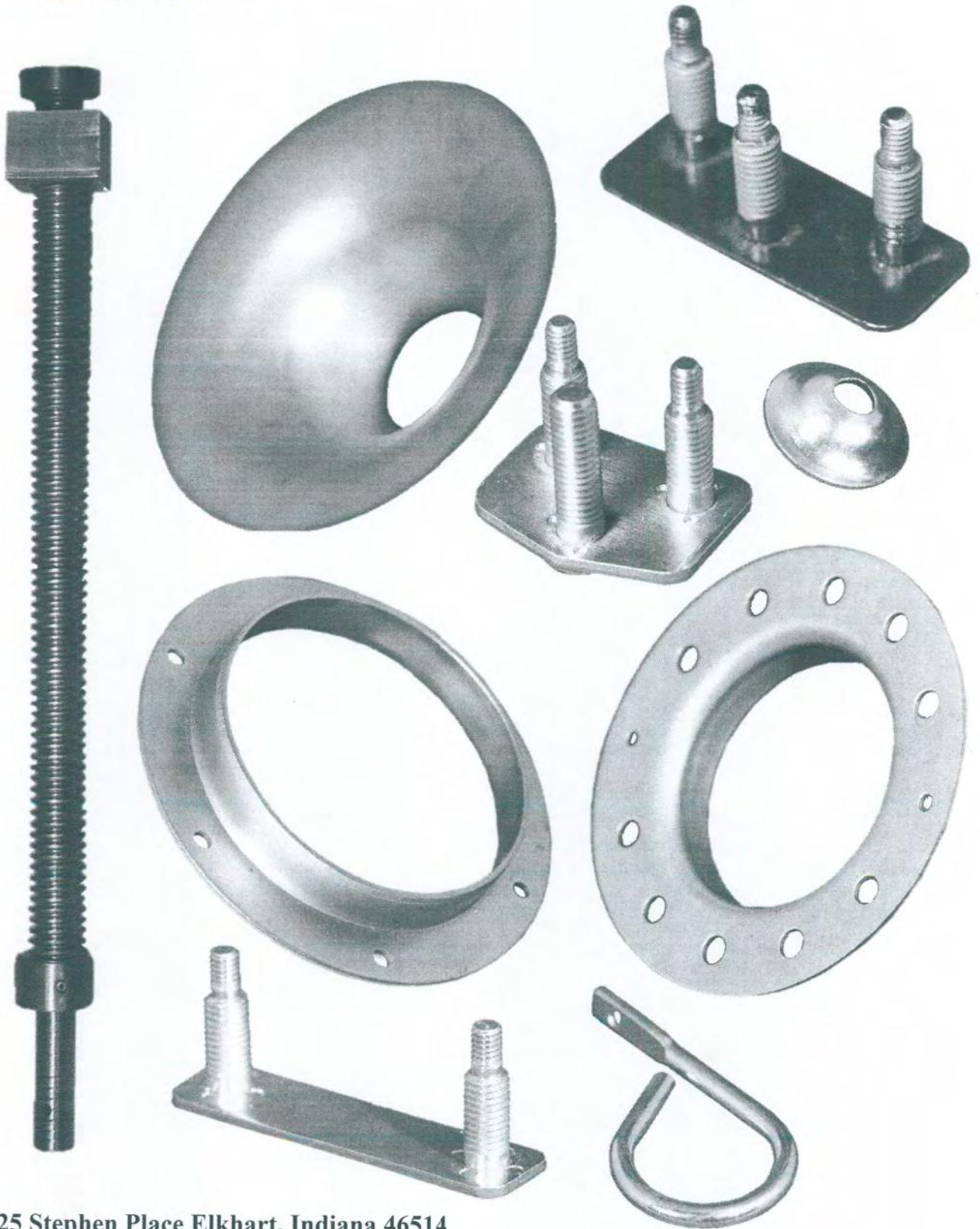
2 PIECE HINGE



NUT CLIP



2925 Stephen Place Elkhart, Indiana 46514
Phone: 574-262-1575
Fax: 574-262-8765



2925 Stephen Place Elkhart, Indiana 46514
Phone: 574-262-1575
Fax: 574-262-8765

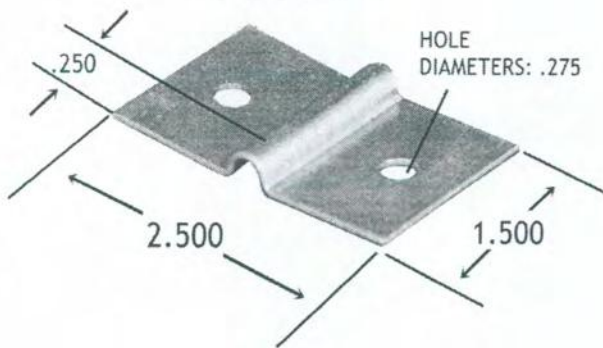
CUSTOM WIRE ROD PIVOT BRACKETS

CUSTOM WIRE

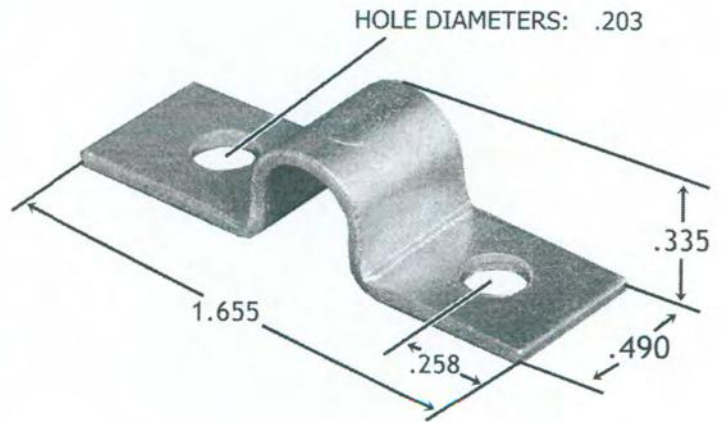


ROD SLIDE PIVOT BRACKETS

**IV BOTTLE HOLDER
BRACKET**



PART# ALB-2H-.235-EB



2925 Stephen Place Elkhart, Indiana 46514
Phone: 574-262-1575
Fax: 574-262-8765